



## WMX 526 / 526 UL / 826 / 826 UL Chain actuator



Natural  
ventilation



Smoke  
ventilation



±24V control



MotorLink®



UL certification  
– Actuators

1.61

### Description

- designed for surface mounting
- WMX 526 / 526 UL / 826 UL: for comfort ventilation
- WMX 826: for smoke and comfort ventilation
- to be used with tophung, bottomhung and turning windows
- to be used together with ±24V control units or control units with MotorLink®
- can be used together with espagnolette WMB
- external safety edge can be connected directly to the actuator (actuator version 'E')
- available with and without UL certification:
  - Europe: order without UL certification
  - USA / Canada: order with UL certification (version UL)
- synchronization of up to four window actuators – no need for an external synchronization module
- genuine position feedback and three speeds when using control unit with MotorLink®
- soft close function
- the electronics in this actuator can be programmed to suit specific requirements – i.e. pressure- and traction force, stroke, speed/sound level – with the WAT 100 programming box, also possible following installation
- built-in electronic load switch-off/end stop
- electronic actuator with micro controller
- the actuator has an integrated reverse function to ensure a prolonged life span of the window gaskets
- easy mounting

### Actuator variants

The actuator is available in four different versions: single actuator (-1), double actuator (-2), triple actuator (-3) and quad actuator (-4).

The synchro actuators (-2, -3 and -4) are equipped with a patented synchronization function, in which the actuators communicate directly with each other, which ensures the actuators operate at exactly the same speed and position. On large windows up to four actuators can be mounted on the same window – with no need for an external synchronization module.

### Pressure safety function

The risk of entrapment is reduced as the actuators are programmed to reverse if they encounter obstacles when closing. The set points determining when the actuators are to reverse are individually adjustable and can be adjusted also after installation using the programming box WAT 100.



Version S



Version E

### Opening speeds

#### One speed:

Actuators connected to  $\pm 24$  VDC control units (e.g. WUC) can run with one speed – see the following page for opening speed.

#### Three speeds:

Actuators connected to control units with MotorLink® (e.g. WCC) can run with three different speeds:

- automatically control speed – actuators run slowly and almost soundlessly.
- manual control speed – actuators run faster and more audibly.
- H&S and safety control speed – actuators run fastest. H&S control always has highest priority.

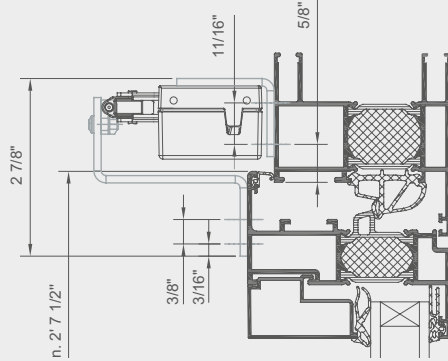
### Technical specifications

<b>Pressure force</b>	See diagram
<b>Traction force</b>	See diagram
<b>Locking force</b>	3000N
<b>Chain stroke</b>	1' 15/16" – 1' 7 11/16" in increments of 25/64" (10mm). Special version up to 1' 11 5/8" possible (only for bottom hung windows) – contact WindowMaster for further information.
<b>Speed</b>	WMX 526 / 526 UL: 9/32 in/s WMX 826 / 826 UL: 23/64 in/s (programmable 1/8 in/s - 3/8 in/s)
<b>Window type</b>	Tophung, bottomhung and turning windows
<b>Window width</b>	Min. 2' 3 9/16", maximum width depends on the window construction and the number of window actuators
<b>Window height</b>	Min. 2' 3 9/16", maximum height depends on the window construction and the number of window actuators
<b>Power consumption</b>	24V DC (max. 10% ripple)
<b>Voltage</b>	20-36V DC
<b>Open-circuit voltage</b>	Max. 36V DC
<b>Current consumption</b>	WMX 526 / 526 UL: max. 0.5A WMX 826 / 826 UL: max. 1A
<b>Operating conditions</b>	+23°F – +113°F. Max. 90% relative humidity (not condensing)
<b>Switch-on-duration</b>	ED 40% (max. 4min. per 10min)
<b>Material</b>	Lacquered zinc house with 1/2" zinc cromate passivated steel chain and 3-core AGW 22 cable with fast-in/fast-on connectors for connection to the extension cable WLL WMX 526 / 826: 16' 15/16" grey silicone cable WMX 526 UL / 826 UL: 6' 2 13/16" UL listed/recognized cable in grey (grey actuator) or white (white actuator)
<b>Colour</b>	Aluminium (RAL 9006) or white (RAL 9010), other RAL colours available at additional price
<b>Size</b>	1' 7 3/16" x 1 1/4" x 1 5/8" (W x H x D)
<b>Weight</b>	2.9 lbs
<b>IP rating</b>	Surface mounted: IP 20, concealed: IP 32
<b>Certification</b>	Actuators with 'U' in the article no. are UL certified accordingly to UL 325 and CAN/CSA-22.2 No. 247-14 and is supplied with UL approved cables UL STYLE 2464
<b>SHE test</b>	WMX 526 / 526 UL / 826 UL: not SHE tested WMX 826: tested in accordance with DIN 18232-3, section 3.6 (30 minutes at 572°F) and part B300 of BS EN 12101-2
<b>Life span</b>	Tested with 10,000 opening and closing movements
<b>Delivery</b>	WMX 526 / 826: actuator with 16' 15/16" cable and fast-in/fast-on connector for WLL cable WMX 526 UL / 826 UL: actuator with 6' 2 13/16" UL listed/recognized cable
<b>To be ordered separately</b>	Brackets and standard extension cables type WLL
<b>Note</b>	We reserve the right to make technical changes

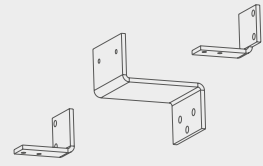
Item code composition <i>(actuator supplied in sealed plastic packaging)</i>						
WMX 526 WMX 826	n	x	xxx	x	x	3
						<b>Product version:</b> 3
						<b>Certification:</b> 0 = CE, U = CE + UL
						<b>Actuator hardware version:</b> S = standard, E = with connection for pressure safety strip ( <i>E: not UL actuator</i> )
						<b>Chain opening:</b> 1 15/16" (50mm) – 9 13/16" (500mm) increments of 25/64" (10mm) (050 = 25/64")
						<b>Colour:</b> G = grey, W = white
						<b>Actuator variant:</b> 1= single, 2 = double, 3 = triple, 4 = quad
Explanation of product code structure						
<b>WMX 526-2G070E 03</b>	WMX 526 actuator, double synchronisation grey, 70mm chain opening, with connection for pressure safety strip, with CE certification, product version 3					

Accessories	Item no.
Chain bracket with tight-fitting bolt, WMX, for sash or frame	WAB 801
Chain bracket with split, for sash or frame	WAB 860
Chain bracket for wooden windows, for sash	WAB 867
Angle bracket for actuator, grey RAL 9006	WAB 804 0101
Angle bracket for actuator, white RAL 9010	WAB 804 1101
Z bracket for actuator WMX 504/804/524/824/526/826. Sash min 2' 7 1/2"	WAB 805
Actuator bracket for buttomhung window	WAB 845
Actuator bracket	WAB 824B
<b>See separate product sheets for further information.</b>	

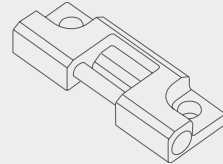
Installation suggestion 1



\* The cable cover must face towards the window hinge!

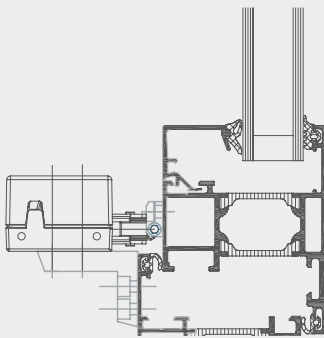


WAB 805



WAB 801

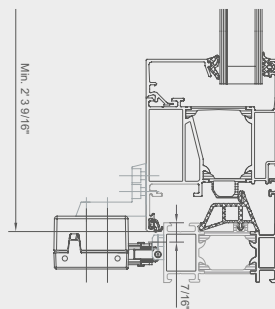
Installation suggestion 2



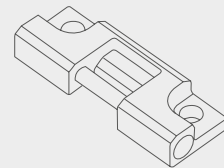
**IMPORTANT!**

Mount the actuator so the bottom of the housing faces towards the centre of the window

Installation suggestion 3

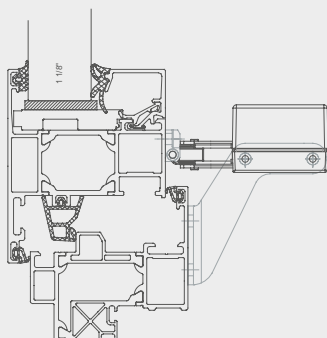


WAB 804 - 0101 grey / -1101 white



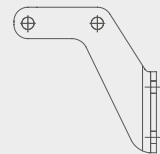
WAB 801

Installation suggestion 4

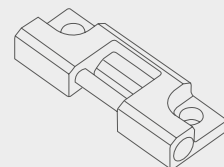


**IMPORTANT!**

Mount the actuator so the bottom of the housing faces towards the centre of the window



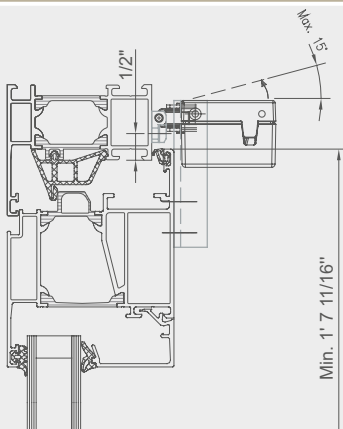
WAB 824B



WAB 801

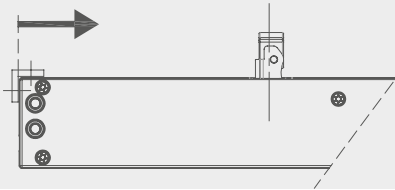
# Chain actuator

## Installation suggestion 5

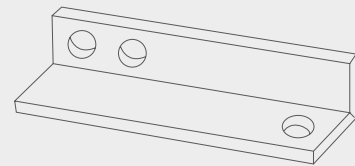
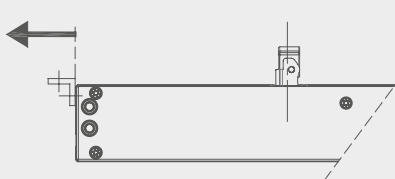


**IMPORTANT!** Mount the actuator so the bottom of the housing faces towards the centre of the window

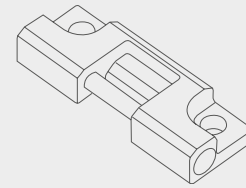
Actuator with limited 15° rotation mounted:



Actuator unlimited rotation mounted:

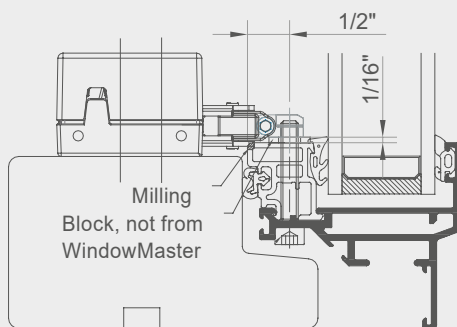


WAB 845

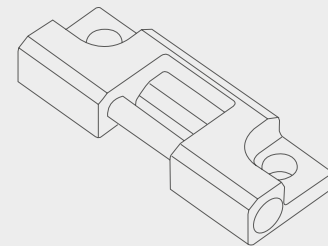


WAB 801

## Installation suggestion 6

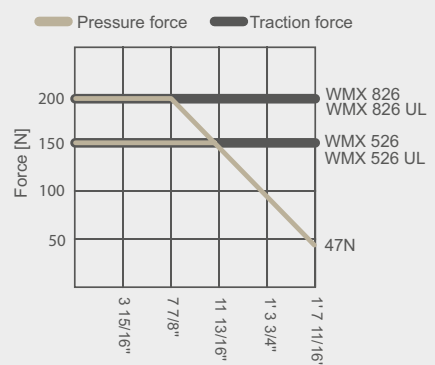
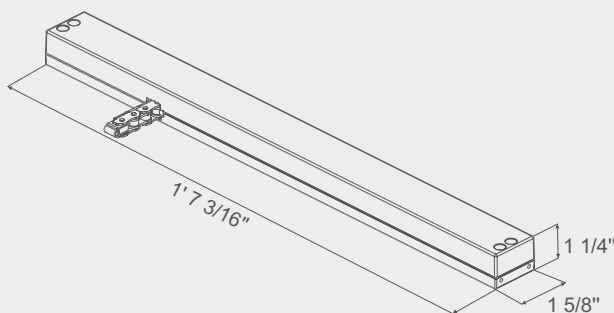
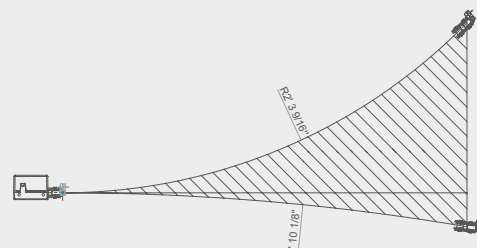


**IMPORTANT!** Mount the actuator so the bottom of the housing faces towards the centre of the window



WAB 801

**IMPORTANT!** Mount the actuator so the bottom of the housing (marked with a yellow label) faces towards the centre of the window



All dimensions are originally in metric units and converted into imperial units. For exact measurements please refer to documentation with metric values.