



WMX 523 / 523 UL / 823 / 823 UL Chain actuator



Natural
ventilation



Smoke ventilation
EN 12101



Smoke ventilation
B300

24V

±24V control



MotorLink®



UL certification
– Actuators

1.51

Description

- optimized design for concealed installation in window profiles
- WMX 523 for comfort ventilation
- WMX 823 for smoke and comfort ventilation
- to be used with all window types
- to be used together with ±24V control units or control units with MotorLink®
- can be used together with espagnolette WMB
- external safety edge can be connected directly to the actuator (actuator version 'E')
- available with and without UL certification:
 - Europe: order without UL certification (version 0)
 - USA / Canada: order with UL certification (version U)
- synchronization of up to four window actuators – no need for an external synchronization module
- genuine position feedback and three speeds when using control unit with MotorLink®
- soft close
- built-in electronic load switch-off/end stop
- electronic actuator with micro controller
- the actuator has an integrated reverse function to ensure a prolonged life span of the window gaskets
- easy mounting

Actuator variants

The actuator is available in four different versions: single actuator (-1), double actuator (-2), triple actuator (-3) and quad actuator (-4).

The synchro actuators (-2, -3 and -4) are equipped with a patented synchronization function, in which the actuators communicate directly with each other, which ensures the actuators operate at exactly the same speed and position. On large windows up to four actuators can be mounted on the same window – with no need for an external synchronization module.

Pressure safety function

The risk of entrapment is reduced as the actuators are programmed to reverse if they encounter obstacles when closing. The set points determining when the actuators are to reverse are individually adjustable and can be adjusted after installation using the programming box WAT 100.



Opening speeds

Actuators connected to ± 24 VDC control units (e.g. WUC) can be run with one speed – see the following page for opening speed.

Actuators connected to control units with MotorLink® (e.g. WCC) can be run with three different speeds:

- automatically control speed – actuators run slowly and almost soundlessly.

- manual control speed – actuators run faster and more audibly.
- H&S and safety control speed – actuators run fastest. H&S control always has highest priority.

Technical specifications

Locking force	3000 N
Permitted short pressure load when chain has run to end stop	400 N
Short pressure capacity on motor	WMX 523: max. 150 N (e.g. at the beginning of opening: Sticky gasket, ice, wind pressure) WMX 823: max. 200 N (e.g. at the beginning of opening: Sticky gasket, ice, wind pressure)
Chain opening	50 – 500 mm in increments of 10 mm, maximum opening depends on the window construction
Opening speed	WMX 523: 7 mm/s / WMX 823: 9 mm/s (programmable 3 mm/s - 9.5 mm/s)
Window type	For vertical or horizontal installation in the frame of inward and outward opening windows, window types and sizes must be agreed with the window supplier and WindowMaster
Window width	Min. 550 mm, maximum width depends on the window construction and the number of window actuators
Window height	Min. 700 mm, maximum height depends on the window construction and the number of window actuators
Nominal voltage	24V DC (max. 10% ripple)
Voltage	20-36V DC
Max. open-circuit voltage	Max. 36V DC
Current consumption	WMX 523: max. 0.5A / WMX 823: max. 1A
Working condition	-5°C - +74°C, max. 90% relative humidity (not condensing)
Switch-on-duration	ED 40% (max. 4 min. per 10 min)
Material	Lacquered zinc housing and zinc chromate passivated steel chain and a 100 mm cable with fast-in/fast-on connectors for connection to the extension cable WLL
Colour	Aluminium (RAL 9006), other RAL colours available at additional price
Size	517 x 30.5 x 42 mm (W x H x D)
Weight	1.3kg
IP rating	Surface mounted: IP 20, concealed: IP 32
Certification	Actuators with "U" in the article no. are L certified accordingly to UL 325 and CAN/CSA-22.2 No. 247-14 and is supplied with UL approved cables UL STYLE 2464 (primary for U.S./Canada)
SHE test	WMX 823: Approved according to EN 12101-2 with selected profiles – please contact WindowMaster for further information B300 tested according to EN 12101-2 WMX 523 / 823U: Not SHE tested
Life span	Tested with 10,000 opening and closing movements
Delivery includes	Actuator with 100 mm connection cable with fast-in/fast-on connector for WLL cable
To be ordered separately	Brackets and standard extension cables (WLL)
Note	We reserve the right to make technical changes

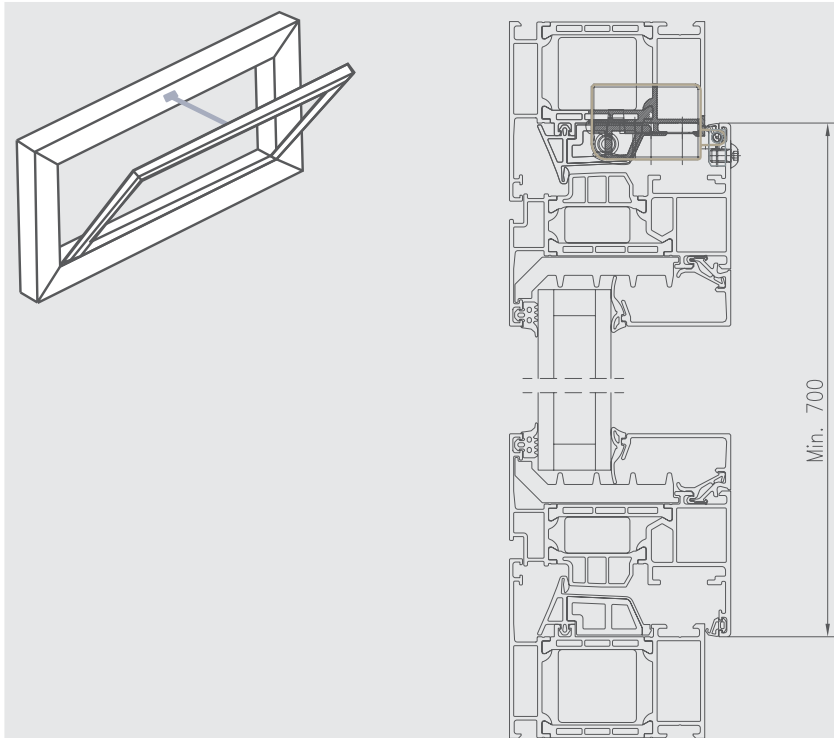
Brackets and accessories	Item no.
Chain bracket with tight-fitting bolt, WMX, for sash or frame	WAB 801
Chain bracket for integrated WMX, for sash	WAB 833
Chain bracket with split, for sash or frame	WAB 860
Chain bracket for Schüco systems, for sash	WAB 863
Chain bracket for wooden windows, for sash	WAB 867
Mounting profile for WMX 820 (tested in accordance with EN 12101-2)	WAB 909 0384
See separate product sheets for further information.	

Product code composition <i>(actuator supplied in sealed plastic packaging)</i>						
WMX 523 WMX 823	-n	x	xxx	x	x	3
						Product version: 3
						Certification: 0 = CE, U = CE + UL, E = CE + EN 12101-2
						Actuator hardware version: S = standard, E = with connection for pressure safety strip (E: not UL actuator)
						Chain opening: 50 – 500 mm, in increments of 10mm (050 = 50 mm)
						Colour: G = grey
						Actuator variant: 1= single, 2 = double, 3 = triple, 4 = quad
Explanation of product code structure						
WMX 523-2G070E 03	WMX 523 actuator, double synchronisation, grey, 70 mm chain opening, with connection for pressure safety strip, with CE certification, product version 3.					

WMX 523 / 523 UL / 823 / 823 UL

Chain actuator

Installation suggestion - Bottom hung, inward opening



For questions regarding the concealed installation – contact WindowMaster

