



WMS 409-n Spindle actuator 900N



Natural
ventilation



Smoke
ventilation



Smoke ventilation
EN 12101

24V



MotorLink®

6.31

Description

- for smoke and comfort ventilation
- approved according to EN 12101-2 with selected profiles – please contact WindowMaster for further information
- complete opening of the window within 60 sec. (depending on the programming)
- strong actuator suitable for roof openings
- to be used together with $\pm 24V$ control units or control units with MotorLink®
- synchronization of up to four window actuators – no need for an external synchronization module
- genuine position feedback and three speeds when using control unit with MotorLink®
- soft close function
- the electronics in this actuator can be programmed to suit specific requirements – i.e. pressure- and traction force, stroke, speed/sound level – with the WAT 100 programming box, also following possible after installation
- built-in electronic load switch-off/end stop
- electronic actuator with micro controller
- the actuator has an integrated reverse function to ensure a prolonged life span of the window gaskets
- easy mounting

Actuator variants

The actuator is available in four different versions: single WMS 409-1, double WMS 409-2, triple WMS 409-3 and quad WMS 409-4.

The actuators are equipped with a patented synchronization function, in which the actuators communicate directly with each other, which ensures the actuators operate at exactly the same speed and position. On large windows up to four actuators can be mounted on the same window – with no need for an external synchronization module.

Opening speeds

Actuators connected to ± 24 VDC control units (e.g. WUC) can be run with one speed – see the following page for opening speed.

Actuators connected to control units with MotorLink® (e.g. WCC) can be run with three different speeds:

- automatically control speed – actuators run slowly and almost soundlessly.
- manual control speed – actuators run faster and more audibly.
- H&S and safety control speed – actuators run fastest. H&S control always has highest priority.

Technical specifications	
Pressure / Tractive force	900N / 900N
Locking force	2850N (break in force)
Spindle stroke	300, 500, 750 and 1000mm
Opening speed	12.5mm/s (full load)
Nominal voltage	24V DC (max. 10% ripple)
Voltage	19 - 32V DC
Open circuit voltage	Max. 32V DC
Current consumption	1.8A
Consumption of energy	Max. 44W
Operating conditions	-5°C - +74°C max. 90% relative humidity (not condensing)
Switch on duration	ED 30% (max. 3min. per 10min.)
Material	Aluminium
Colour	Aluminium EV1, other RAL-colour available at extra cost
Dimension	ø36mm, length (L) depending on spindle length - see table
Connection cable	5m grey connection cable in silicone 3-core 0.75mm ² ø7.0mm
Weight	See table
IP rating	IP54 according to EN 50529
Life span	Tested with 10,000 opening and closing movements
EN certification	Approved according to EN 12101-2 with selected profiles – please contact WindowMaster for further information
Delivery includes	Spindle actuator with 5m connection cable
Note	We reserve the right to make technical changes

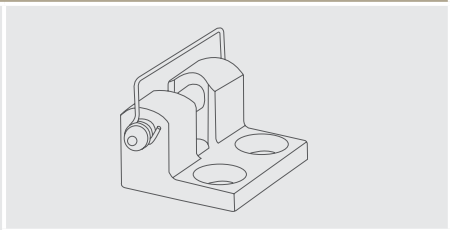
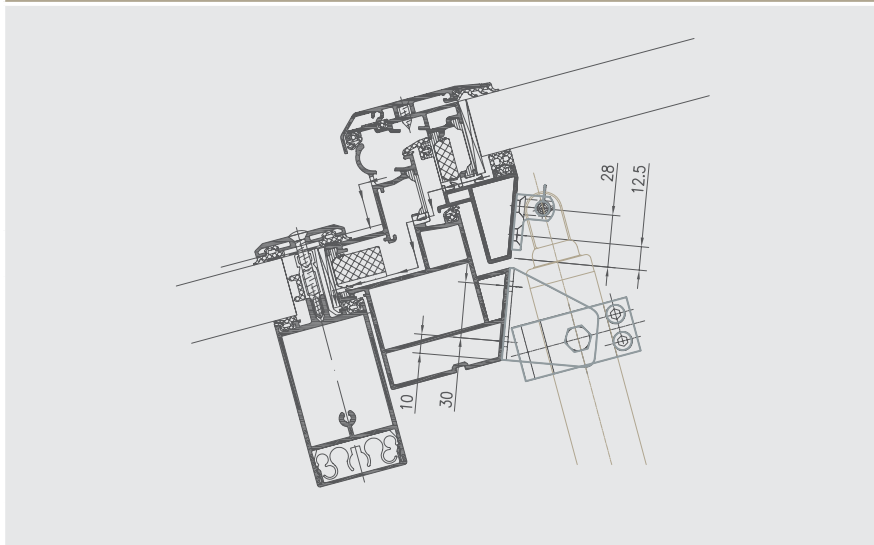
Items	Stroke	Length (L)	Weight	Item no.
Single actuators	300mm	665mm	1.8kg	WMS 409-1 0300*
	500mm	865mm	2.3kg	WMS 409-1 0500*
	750mm	1115mm	2.7kg	WMS 409-1 0750*
	1000mm	1335mm	3.1kg	WMS 409-1 1000
Double actuators	300mm	665mm	1.8kg	WMS 409-2 0300*
	500mm	865mm	2.3kg	WMS 409-2 0500*
	750mm	1115mm	2.7kg	WMS 409-2 0750*
	1000mm	1335mm	3.1kg	WMS 409-2 1000
Triple actuators	300mm	665mm	1.8kg	WMS 409-3 0300
	500mm	865mm	2.3kg	WMS 409-3 0500
	750mm	1115mm	2.7kg	WMS 409-3 0750
	1000mm	1335mm	3.1kg	WMS 409-3 1000
Quad actuators	300mm	665mm	1.8kg	WMS 409-4 0300
	500mm	865mm	2.3kg	WMS 409-4 0500
	750mm	1115mm	2.7kg	WMS 409-4 0750
	1000mm	1335mm	3.1kg	WMS 409-4 1000

*For actuator approved according to EN 12101-2 the item number must contain EN.
EN 12101-2 approved actuator variants are only available as 'Single' and 'Double', e.g. WMS 409-n EN 0300.

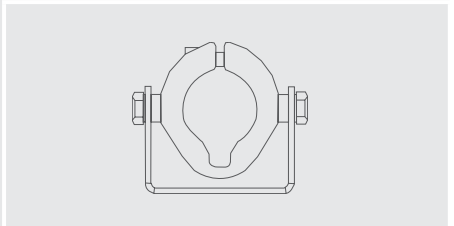
Brackets	Item no.
Actuator bracket with clamping ring – 40mm	WSB 300 0001
Actuator bracket with clamping ring – 73 / 86mm	WSB 300 0002
Actuator bracket with clamping ring – 65mm	WSB 300 0003
Bottom screw	WSB 300 0004
Bracket with bolt and retaining cotter pin	WSB 300 0010
Bracket with fixing bolt	WSB 300 0011
Bracket with pin and retaining bracket	WSB 300 0012

See separate product sheets for further information.

Installation suggestion 1

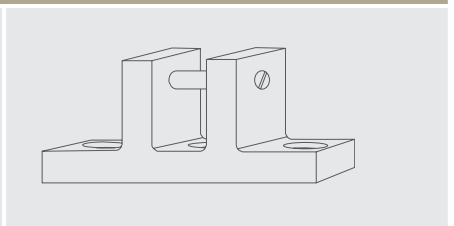
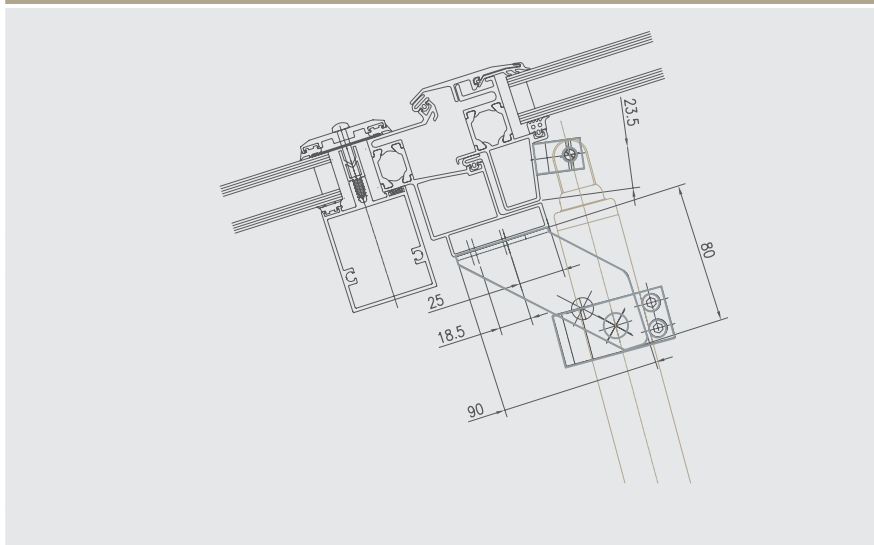


WSB 300 0012

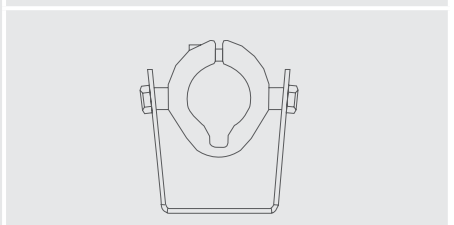


WSB 300 0001

Installation suggestion 2



WSB 300 0011

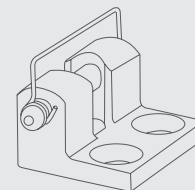
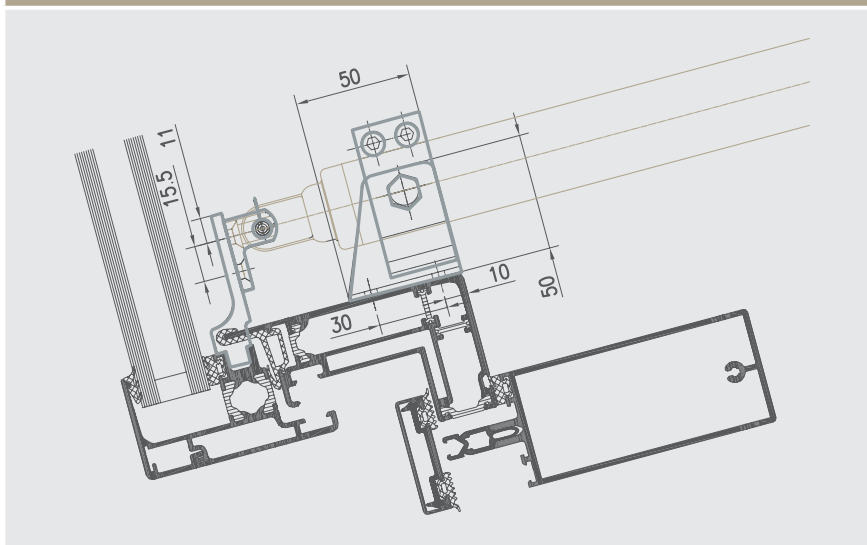


WSB 300 0003

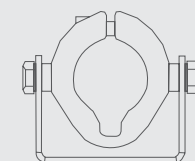
WMS 409-n

Spindle actuator 900N

Installation suggestion 3



WSB 300 0012



WSB 300 0001

