



WMS 306 Spindle actuator 600N



Natural
ventilation

24V

±24V control

6.05

Description

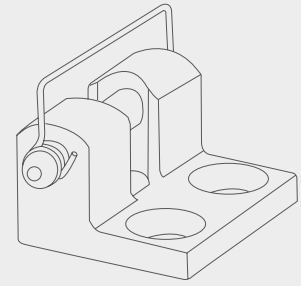
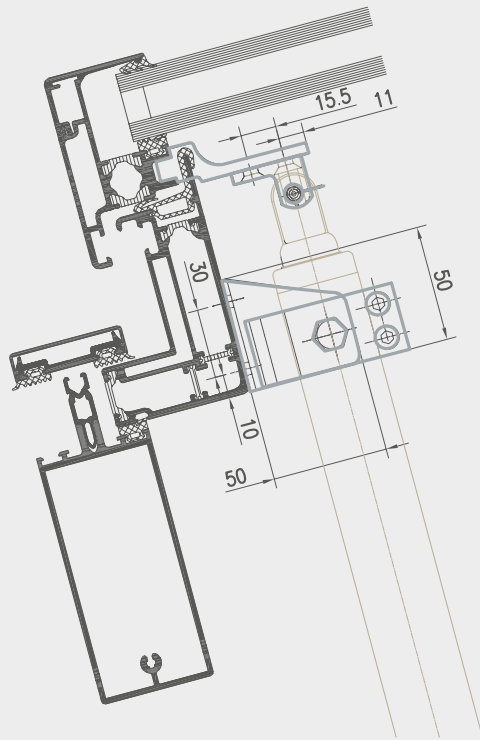
- for comfort ventilation
- strong actuator suitable for roof openings
- to be used together with ±24V control units
- soft close function
- automatically switches off when it reaches its end positions due to the built-in electronic load switch-off.
- electronic actuator with micro controller
- the actuator has an integrated reverse function to ensure a prolonged life span of the window gaskets
- easy mounting
- maintenance free through permanent lubrication
- outer parts corrosion-free
- heat resistant silicone connection cable

Technical specifications	
Pressure / Tractive force	600N / 600N
Locking force	3000N (break in force)
Spindle stroke	300, 500 and 750mm
Opening speed	5mm/s (full load)
Nominal voltage	24V DC (+30% -20%) max. 10% ripple
Voltage	19 - 31V DC
Open circuit voltage	Max. 40V DC
Current consumption	Ca. 1A
Consumption of energy	Max. 24W
Operating conditions	-5°C - +74°C max. 90% relative humidity (not condensing)
Switch on duration	ED 30% (max. 3min. per 10min.)
Material	Aluminium
Colour	Anodized aluminium EV1, other RAL colours at extra cost
Size	ø36mm, length depends on spindle stroke – see table
Weight	See table
Connection cable	5m grey connection cable in silicon 3-core 0.75mm ² ø7.0mm
IP rating	IP54 according to EN 50529
Delivery includes	Actuator with 5m connection cable
Note	We reserve the right to make technical changes

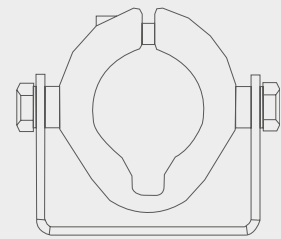
Stroke [mm]	Length (L) [mm]	Weight [kg]	Item no.
300	623	1.5	WMS 306 0300
500	823	1.8	WMS 306 0500
750	1073	2.2	WMS 306 0750

Brackets	Item no.
Actuator bracket with clamping ring – 40mm	WSB 300 0001
Actuator bracket with clamping ring – 73 / 86mm	WSB 300 0002
Actuator bracket with clamping ring – 65mm	WSB 300 0003
Bottom screw	WSB 300 0004
Wing bracket with bolt retaining cotter pin	WSB 300 0010
Wing bracket with fixing bolt	WSB 300 0011
Wing bracket with pin and retaining bracket	WSB 300 0012
See separate product sheets for further information.	

Installation suggestion 1

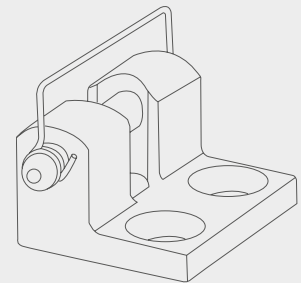
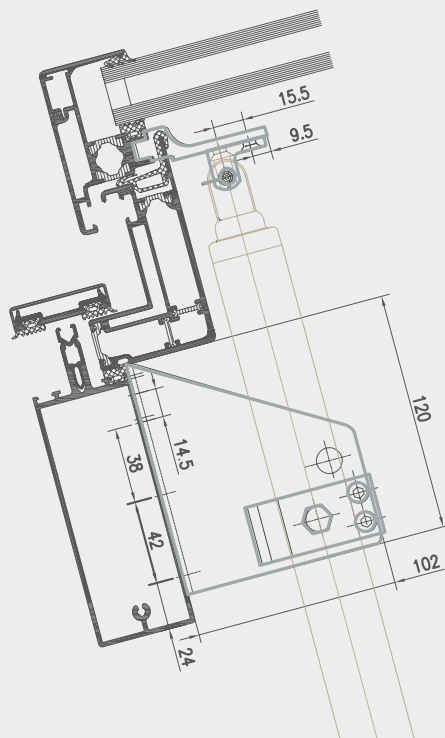


WSB 300 0012

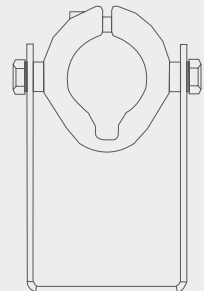


WSB 300 0001

Installation suggestion 2



WSB 300 0012

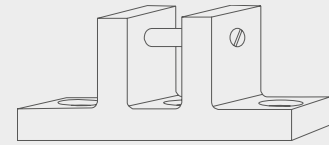
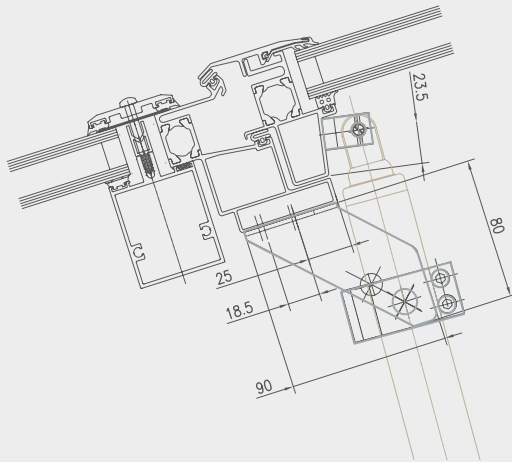


WSB 300 0002

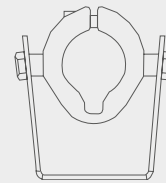
WMS 306

Spindle actuator 600N

Installation suggestion 3

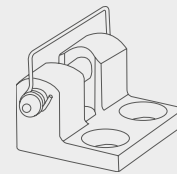
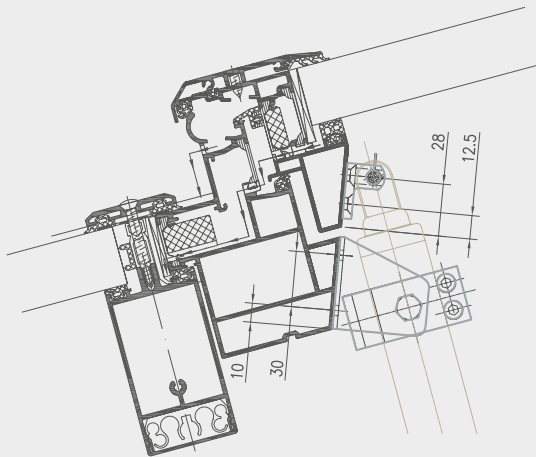


WSB 300 0011

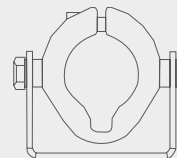


WSB 300 0003

Installation suggestion 4



WSB 300 0012



WSB 300 0001

