



WMB 811 / WMB 812

Espagnolette actuator



Natural
ventilation



Smoke ventilation
B300



24V



MotorLink®



UL certification
– Actuators

5.20

Description

- for smoke and comfort ventilation
- locking actuator for windows with espagnolette system
- to be surface mounted or concealed
- discreet and slim line design
- cable connection hidden in the actuator cavity – no need for junction box
- to be used together with $\pm 24V$ control units or control units with MotorLink®
- used together with window actuators with MotorLink®
- 3 speeds when using control unit with MotorLink®
- soft close
- built-in electronic load switch-off/end stop
- electronic actuator with micro controller
- easy mounting
- the actuator is UL recognized

Compact 24 VDC espagnolette, which automatically locks/opens the espagnolette system on the window, in such a way that the CE approval of the window is maintained. This unit can also be used should increased protection against weather or break in be desired.

Closing force of 2000N per espagnolette.

The espagnolette is fitted on windows with an espagnolette system without handles, together with electric window actuators with MotorLink®. The espagnolette can be surface mounted on or concealed in aluminium, timber or plastic window frames.

The espagnolette system can be set in two positions: locked/open.

The espagnolette bracket can be fitted in two different positions and thereby adjusted to the window profile. The bracket is supplied with the espagnolette.

Actuator variants

The espagnolette is available in single and double version, meaning up to two espagnolette actuators can be mounted on the same window.

Both the single and the double version can be used with up to four window actuators on the same window.

Single WMB (one WMB)

WMB 811-1 L: single, locking to the left
WMB 811-1 R: single, locking to the right

Double WMB (two WMB on the same window)

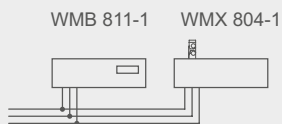
WMB 811-2 L: double, first WMB, locking to the left
WMB 811-2 R: double, first WMB, locking to the right
WMB 812-2 L: double, second WMB, locking to the left
WMB 812-2 R: double, second WMB, locking to the right



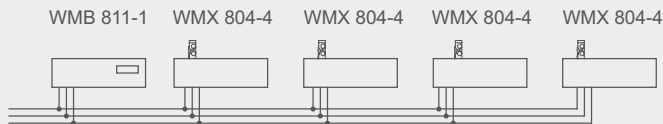
**Cable connection
hidden in the
actuator cavity**

Technical data	
Pressure force / load	500N (programmeable)
Tractive force	500N (programmable)
Closing force	2000N (break in force)
Espagnolette movement	11/16" (programmable 1/16"- 13/16")
Opening speed	depending on the connected window actuator (min. 7sec and max. 20sec)
Window types	top, bottom and side hung windows
Nominal voltage	24 VDC (max. 10% rippel)
Voltage	19 - 32 VDC
Open circuit voltage	max. 32 VDC
Current consumption	max. 1A
Power consumption	max. 24W
Temperature	+23°F – +113°F, max. 90% relative humidity (not condensing)
Switch on duration	ED 40% (2min. per 5min.)
Material	zinc housing protected against corrosion
Colour	powder paint RAL 9006 (grey), other colours against additional cost
Dimension	11 1/4" x 1 3/16" x 1 5/8" (W x H x D)
Weight	2.2lbs
Connection	3 15/16" grey 3-core AWG 22 silicone cable with connector
IP rating	IP20
Certification	certified accordingly to UL 325 and CAN/CSA-22.2 No. 247-14,
Fire test	B300 tested according to EN 12101-2:2003
Lifetime	11,000 open and close movements, full stroke
Delivery includes	espagnolette with 3 15/16" cable with fast-in /fast-on stick and espagnolette bracket
Note	we reserve the right to make technical changes

Combination options (here shown with WMX 804-n window actuator)



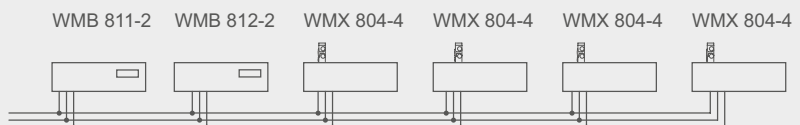
WMB 811-1 single espagnolette actuator with one window single actuator



WMB 811-1 single espagnolette actuator with up to four quad window actuators



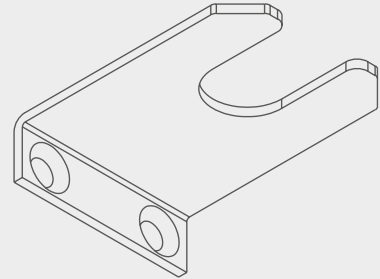
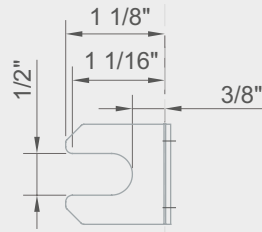
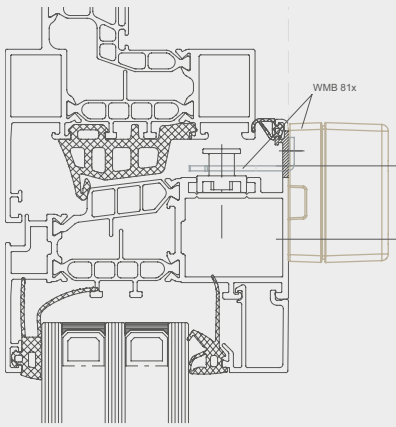
WMB 811-2 + WMB 812-2 double espagnolette actuators with one single window actuator



WMB 811-2 + WMB 812-2 double espagnolettes with up to four quad window actuators

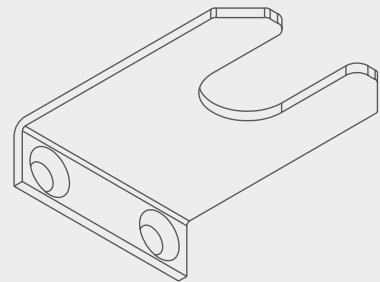
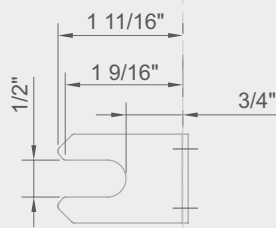
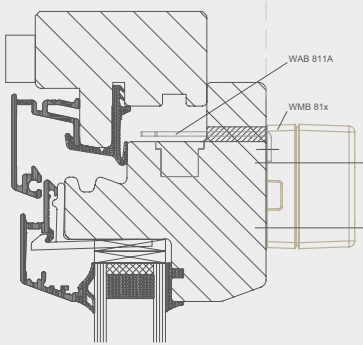
WLL connection cable is to be ordered separately

Installation suggestion 1



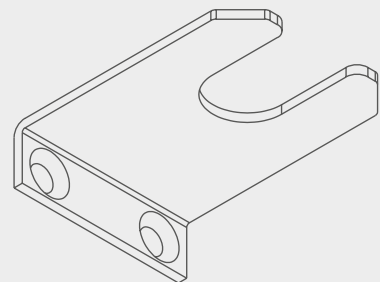
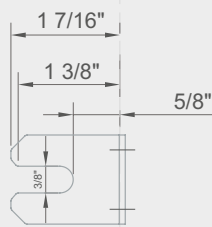
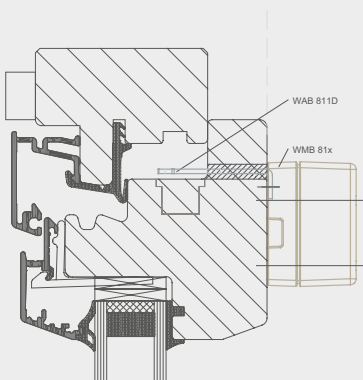
Bracket included with the actuator

Installation suggestion 2



WAB 811A

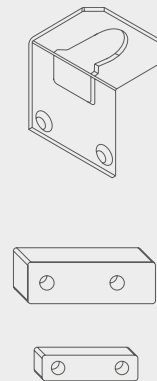
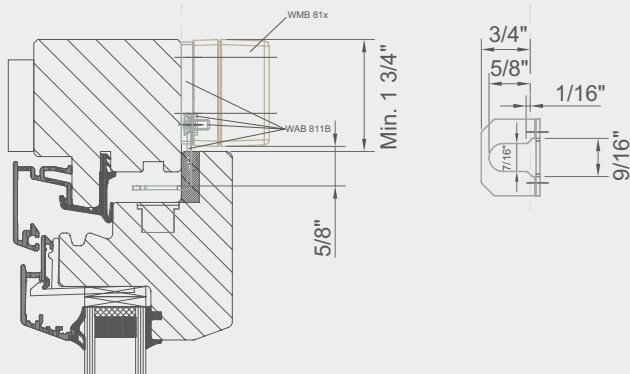
Installation suggestion 3



WAB 811D

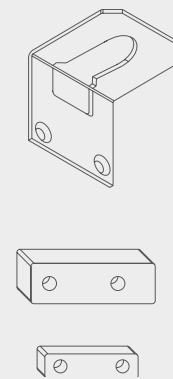
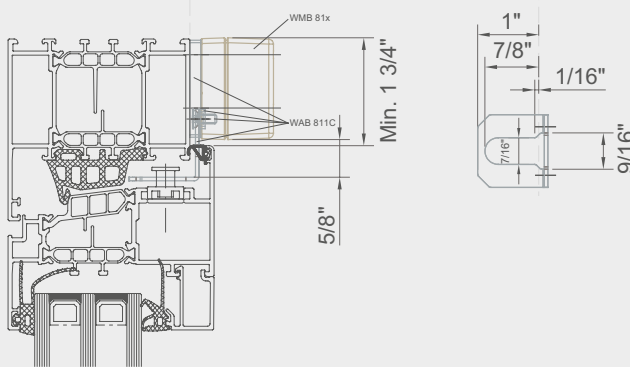
Espagnolette actuator

Installation suggestion 4



WAB 811B

Installation suggestion 5



WAB 811C

Items	Item no.
Espagnolette actuator single, locking to the left (seen from the inside)	WMB 811-1 L
Espagnolette actuator single, locking to the right (seen from the inside)	WMB 811-1 R
Espagnolette double, first WMB, locking to the left (seen from the inside)	WMB 811-2 L
Espagnolette actuator double, first WMB, locking to the right (seen from the inside)	WMB 811-2 R
Espagnolette actuator double, second WMB, locking to the left (seen from the inside)	WMB 812-2 L
Espagnolette actuator double, second WMB, locking to the right (seen from the inside)	WMB 812-2 R

Accessories	Item no.
Bracket for WMB 811	WAB 811A
Bracket for WMB 811	WAB 811B
Bracket for WMB 811	WAB 811C
Bracket for WMB 811	WAB 811D

All dimensions are originally in metric units and converted into imperial units.
For exact measurements please refer to documentation with metric values.