



## WMX 526 / 526 UL / 826 / 826 UL Chain actuator



Natural  
ventilation



Smoke  
ventilation



±24V control



MotorLink®



UL certification  
– Actuators

1.61

### Description

- designed for surface mounting
- WMX 526 / 526 UL / 826 UL: for comfort ventilation
- WMX 826: for smoke and comfort ventilation
- to be used with top hung, bottom hung and turning windows
- to be used together with ±24V control units or control units with MotorLink®
- can be used together with espagnolette WMB
- external safety edge can be connected directly to the actuator (actuator version 'E')
- available with and without UL certification:
  - Europe: order without UL certification
  - USA / Canada: order with UL certification (version UL)
- synchronization of up to four window actuators – no need for an external synchronization module
- genuine position feedback and three speeds when using control unit with MotorLink®
- soft close function
- built-in electronic load switch-off/end stop
- electronic actuator with micro controller
- the actuator has an integrated reverse function to ensure a prolonged life span of the window gaskets
- easy mounting

### Actuator variants

The actuator is available in four different versions: single actuator (-1), double actuator (-2), triple actuator (-3) and quad actuator (-4).

The synchro actuators (-2, -3 and -4) are equipped with a patented synchronization function, in which the actuators communicate directly with each other, which ensures the actuators operate at exactly the same speed and position. On large windows up to four actuators can be mounted on the same window – with no need for an external synchronization module.

### Pressure safety function

The risk of entrapment is reduced as the actuators are programmed to reverse if they encounter obstacles when closing. The set points determining when the actuators are to reverse are individually adjustable.



### Opening speeds

One speed:

Actuators connected to  $\pm 24$  VDC control units (e.g. WUC) can run with one speed – see the following page for opening speed.

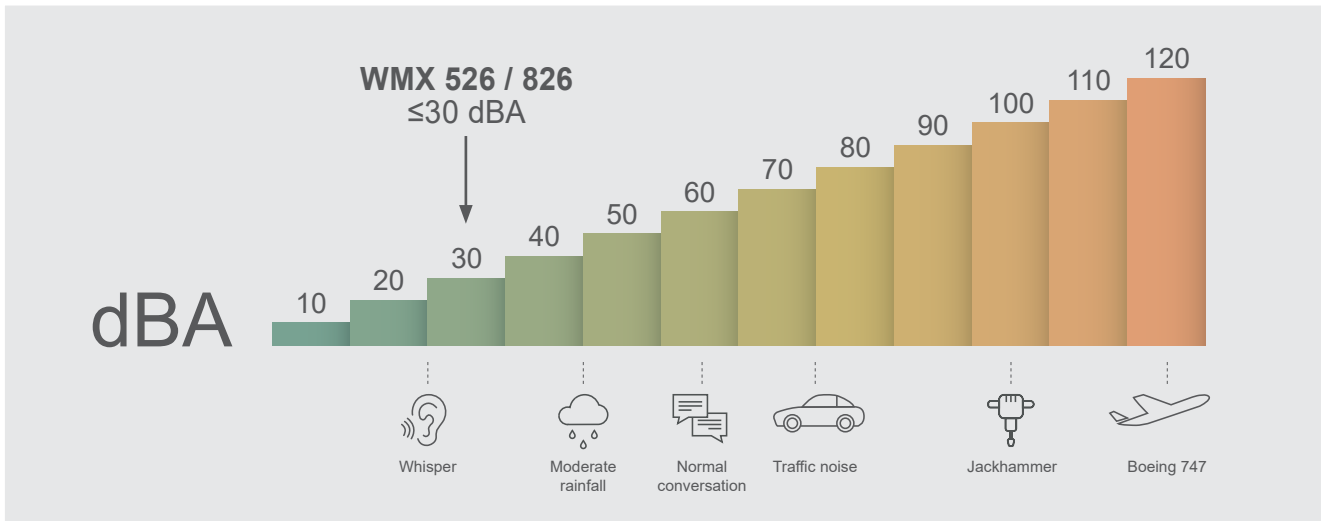
Three speeds:

Actuators connected to control units with MotorLink® (e.g. WCC) can run with three different speeds:

- automatically control speed – actuators run slowly and almost soundlessly.
- manual control speed – actuators run faster and more audibly.
- H&S and safety control speed – actuators run fastest. H&S control always has highest priority.

### Technical specifications

<b>Pressure force</b>	See diagram
<b>Traction force</b>	See diagram
<b>Locking force</b>	3000N
<b>Chain stroke</b>	1 15/16" – 1' 7 11/16" in increments of 25/64" (10mm). Special version up to 1' 11 5/8" possible (only for bottom hung windows) – contact WindowMaster for further information.
<b>Speed</b>	WMX 526 / 526 UL: 9/32 in/s WMX 826 / 826 UL: 23/64 in/s (programmable 1/8 in/s - 3/8 in/s)
<b>Sound pressure level</b>	≤30 dBA (operational speed: 3 mm/s), ≤46 dBA (operational speed: 9,5 mm/s)
<b>Window type</b>	Tophung, bottomhung and turning windows
<b>Window width</b>	Min. 2' 3 9/16", maximum width depends on the window construction and the number of window actuators
<b>Window height</b>	Min. 2' 3 9/16", maximum height depends on the window construction and the number of window actuators
<b>Power consumption</b>	24V DC (max. 10% ripple)
<b>Voltage</b>	20-36V DC
<b>Open-circuit voltage</b>	Max. 36V DC
<b>Current consumption</b>	WMX 526 / 526 UL: max. 0.5A WMX 826 / 826 UL: max. 1A
<b>Operating conditions</b>	+23°F – +113°F. Max. 90% relative humidity (not condensing)
<b>Switch-on-duration</b>	ED 40% (max. 4min. per 10min)
<b>Material</b>	Lacquered zinc house with 13mm zinc cromate passivated steel chain and 3-core 0,34mm <sup>2</sup> cable with fast-in/fast-on connectors for connection to the extension cable WLL WMX 526 / 826: 4.9m grey silicone cable WMX 526 / 826 E: 4.9m grey silicone cable and 1.9m grey silicone cable for connection to pressure safety strip WMX 526 UL / 826 UL: 1.9m UL listed/recognized cable in grey (grey actuator) or white (white actuator)
<b>Colour</b>	Aluminium (RAL 9006) or white (RAL 9010), other RAL colours available at additional price
<b>Size</b>	1' 7 3/16" x 1 1/4" x 1 5/8" (L x H x W)
<b>Weight</b>	2.9 lbs
<b>IP rating</b>	Surface mounted: IP 20, concealed: IP 32
<b>Certification</b>	Actuators with 'U' in the article no. are UL certified accordingly to UL 325 and CAN/CSA-22.2 No. 247-14 and is supplied with UL approved cables UL STYLE 2464
<b>SHE test</b>	WMX 526 / 526 UL / 826 UL: not SHE tested WMX 826: tested in accordance with DIN 18232-3, section 3.6 (30 minutes at 572°F) and part B300 of BS EN 12101-2
<b>Life span</b>	Tested with 10,000 opening and closing movements
<b>To be ordered separately</b>	Brackets and standard extension cables type WLL
<b>Note</b>	We reserve the right to make technical changes



The sound pressure level was measured externally by The Danish Technological Institute. The measurements have been carried out in a large regular room size 7 x 14 x 2.4 m (W x L x H) with the ceiling covered with a standard sound absorbent material. The A-weighted sound pressure levels have been measured at a distance of 1 meter away from the surface of the actuators and at the height of 1.6 meters from the floor. The actuators were not installed on any window profile nor added any load. The full opening and full closing sound of the actuators have been measured and the result represents the average of the measurements.

Item code composition (actuator supplied in sealed plastic packaging)						
WMX 526	n	x	xxx	x	x	3
WMX 826						Product version: 3
						Certification: 0 = CE, U = CE + UL
						Actuator hardware version: S = standard, E = with connection for pressure safety strip (E: not UL actuator)
						Chain opening: 1 15/16" (50mm) – 9 13/16" (500mm) increments of 25/64" (10mm) (050 = 25/64")
						Colour: G = grey, W = white
						Actuator variant: 1 = single, 2 = double, 3 = triple, 4 = quad
Explanation of product code structure						
<b>WMX 526-2G070E 03</b>		WMX 526 actuator, double synchronisation grey, 70mm chain opening, with connection for pressure safety strip, with CE certification, product version 3				

Items	Chain stroke [ft and in]	Length (L) [ft and in]	Item no.	Item no. with entrapment connection
Single actuator	1 15/16" - 9 13/16"	1' 7 3/16"	WMX 526-1x <sup>1</sup> xxx <sup>2</sup> S x <sup>3</sup>	WMX 523-1Gxxx <sup>1</sup> E 0
	1 15/16" - 9 13/16"	1' 7 3/16"	WMX 826-1x <sup>1</sup> xxx <sup>2</sup> S x <sup>4</sup>	WMX 823-1Gxxx <sup>1</sup> E x <sup>5</sup>
Double actuator	1 15/16" - 9 13/16"	1' 7 3/16"	WMX 526-2x <sup>1</sup> xxx <sup>2</sup> S x <sup>3</sup>	WMX 523-2Gxxx <sup>1</sup> E 0
	1 15/16" - 9 13/16"	1' 7 3/16"	WMX 826-2x <sup>1</sup> xxx <sup>2</sup> S x <sup>4</sup>	WMX 823-2Gxxx <sup>1</sup> E x <sup>5</sup>
Triple actuator	1 15/16" - 9 13/16"	1' 7 3/16"	WMX 526-3x <sup>1</sup> xxx <sup>2</sup> S x <sup>3</sup>	WMX 523-3Gxxx <sup>1</sup> E 0
	1 15/16" - 9 13/16"	1' 7 3/16"	WMX 826-3x <sup>1</sup> xxx <sup>2</sup> S x <sup>4</sup>	WMX 823-3Gxxx <sup>1</sup> E x <sup>5</sup>
Quad actuator	1 15/16" - 9 13/16"	1' 7 3/16"	WMX 526-4x <sup>1</sup> xxx <sup>2</sup> S x <sup>3</sup>	WMX 523-4Gxxx <sup>1</sup> E 0
	1 15/16" - 9 13/16"	1' 7 3/16"	WMX 826-4x <sup>1</sup> xxx <sup>2</sup> S x <sup>4</sup>	WMX 823-4Gxxx <sup>1</sup> E x <sup>5</sup>

<sup>1</sup> G = Grey, RAL 9006, W = White, RAL 9010.

<sup>2</sup> 1 15/16" (50mm) – 9 13/16" (500mm) increments of 25/64" (10mm) (050 = 25/64")

<sup>3</sup> The actuator can be supplied with certification according to UL 325

<sup>4</sup> The actuator can be supplied with certification according to UL 325 / EN 12101-2

<sup>5</sup> The actuator can be supplied with certification according to EN 12101-2

See also the table 'Product code composition' for further details as well as determination of final item no.

Accessories	Item no.
Chain bracket with tight-fitting bolt, WMX, for sash or frame	WAB 801
Chain bracket with split, for sash or frame	WAB 860
Chain bracket for wooden windows, for sash	WAB 867
Angle bracket for actuator, grey RAL 9006	WAB 804 0101
Angle bracket for actuator, white RAL 9010	WAB 804 1101
Z bracket for actuator WMX 504/804/524/824/526/826. Sash min 800mm.	WAB 805
Actuator bracket for buttomhung window	WAB 845
Actuator bracket	WAB 824B

See separate product sheets for further information.

### Installation suggestion 1 - Inward opening

WAB 805

WAB 801

\* The cable cover must face towards the window hinge!

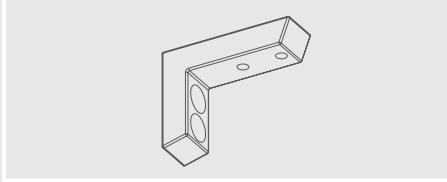
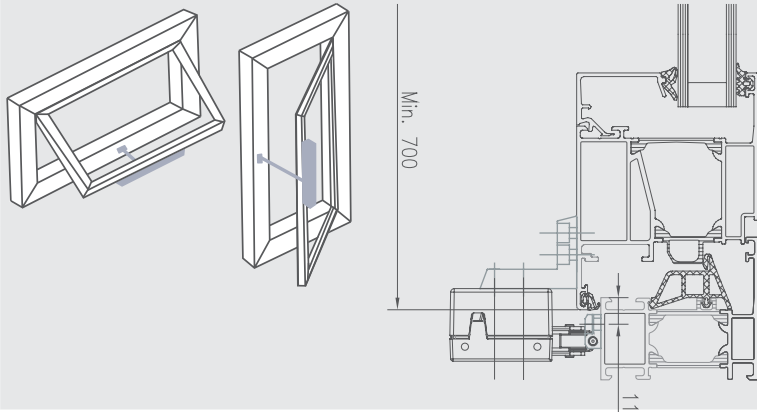
### Installation suggestion 2 - Outward opening

WAB 804 - 0101 grey / -1101 white

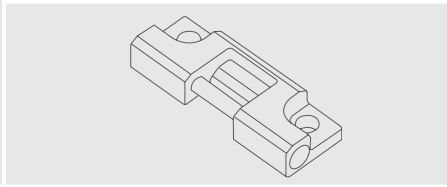
WAB 801

**IMPORTANT!**  
Mount the actuator so the bottom of the housing faces towards the centre of the window

Installation suggestion 3 - Inward opening



WAB 804 - 0101 grey / -1101 white

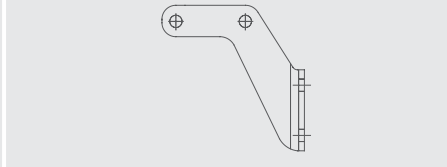
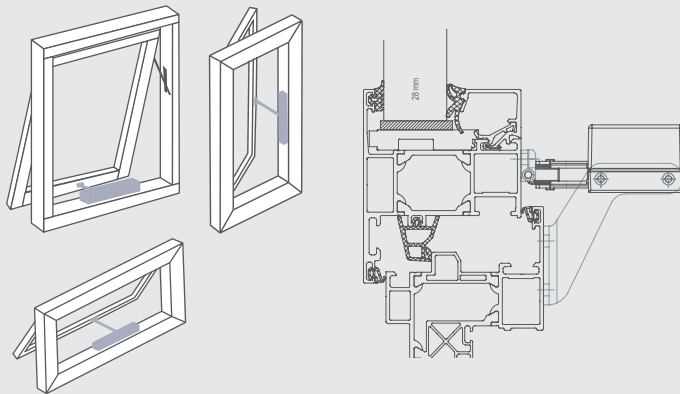


WAB 801

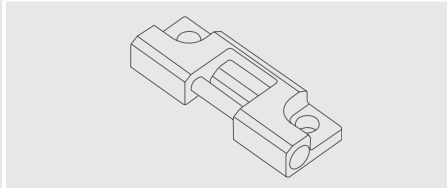
**IMPORTANT!**

Mount the actuator so the bottom of the housing faces towards the centre of the window

Installation suggestion 4 - Outward opening



WAB 824B

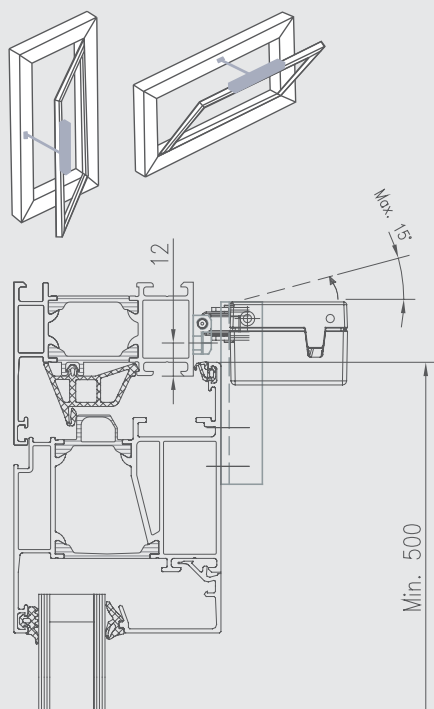


WAB 801

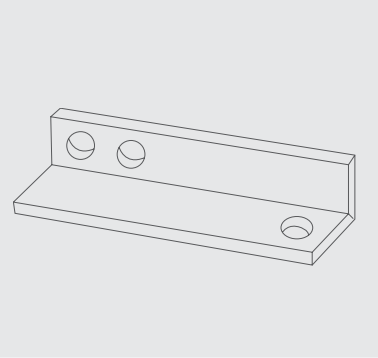
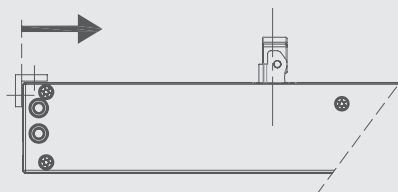
**IMPORTANT!**

Mount the actuator so the bottom of the housing faces towards the centre of the window

Installation suggestion 5 - Inward opening

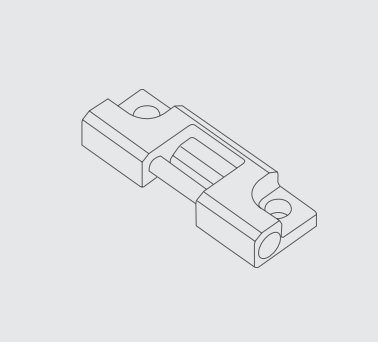
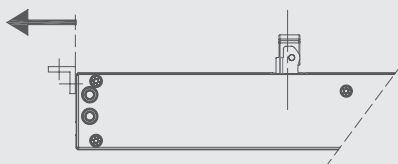


Actuator with limited 15° rotation mounted:



WAB 845

Actuator unlimited rotation mounted:



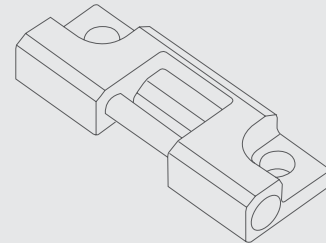
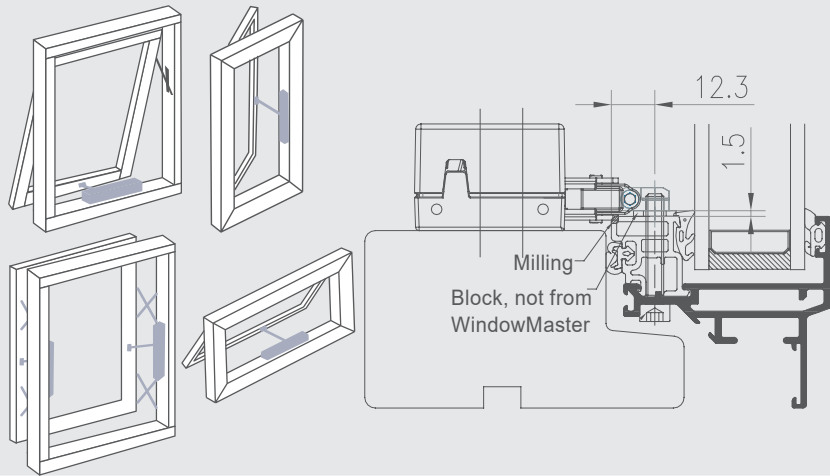
WAB 801

**IMPORTANT!** Mount the actuator so the bottom of the housing faces towards the centre of the window

WMX 526 / 526 UL / 826 / 826 UL

# Chain actuator

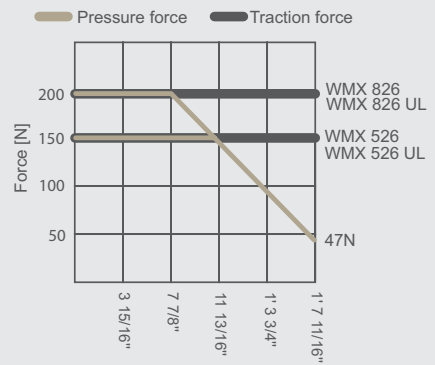
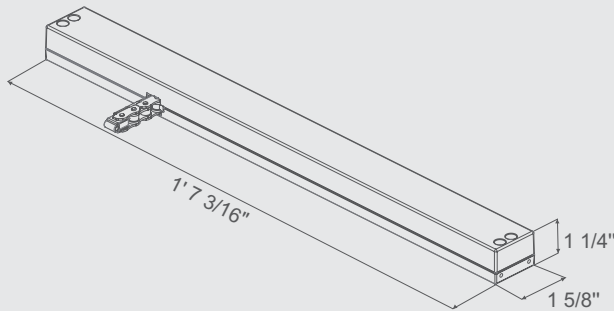
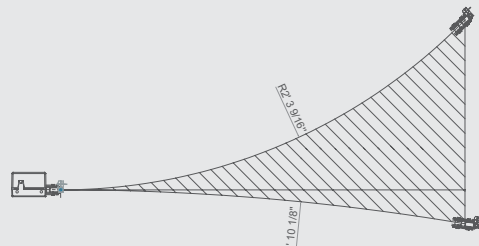
## Installation suggestion 6 - Outward opening



**IMPORTANT!**  
Mount the actuator so the bottom of the housing faces towards the centre of the window

WAB 801

**IMPORTANT!**  
Mount the actuator so the bottom of the housing (marked with a yellow label) faces towards the centre of the window



All dimensions are originally in metric units and converted into imperial units.  
For exact measurements please refer to documentation with metric values.