



WUF 121



WUF 110



WUF 150

## WUF 110 / 121 / 150

# Actuator interfaces



Natural  
ventilation



Rated voltage

### Application

- the motor interface is used for individual operation of a  $\pm 24V$  DC actuator from a 230V AC control system
- the interface has one phase for opening the window and one phase for closing the window
- to be used with one or more WindowMaster  $\pm 24V$  DC actuators with a total power consumption of 1A, 3A or 5A as well as a keypad e.g. WSK 100
- there are three variants of the actuator interface:
  - WUF 110: max. 1A
  - WUF 121: max. 3A
  - WUF 150: max. 5A

#### WUF 110

Interface for actuators with a total power consumption of max 1A. See table for further information on actuator type and numbers.

The interface can be installed in the window profile next to the WindowMaster window actuator or fitted on the window frame.

The connection to the actuator is made via a 2-pin connector. The 2m or 10m 3-core cable is connected to the 230V main supply via the switch.

#### WUF 120

Interface for actuators with a total power consumption of max 3A. See table for further information on actuator type and numbers.

The interface can be installed on the wall. No special tools are required.

The 1.3m 3-core cable is connected to the 230V main supply via the switch.

#### WUF 150

Interface for actuators with a total power consumption of max 5A. See table for further information on actuator type and numbers.

Up to eight interfaces can be connected in parallel to the same switch. Notice the peak current and on side fuse characteristic.

The interface can be installed on the wall or on the ceiling next to the actuators. No special tools are required.

230 Volt and actuator connections are done via screw terminals. The interface are not supplied with cables.

WUF 110 Technical specifications	
Max power consumption	1A – see table below for possible actuator types and numbers
Primary voltage	230V AC, ±10%, 50/60Hz, 50VA
Secondary voltage	24V DC, max. 0,8A
Inrush current on primary side	Max. 10A < 1msec.
Standby consumption	Max. 2W by 230V (no actuators runs)
Open circuit voltage	24V ± 1V by 230V
Ripple by full load	< 1% (0.3Vpp)
Insulation / Earthing	The interface is a double insulated class 2 product, which means it will not require earth connection
Max. switching capacity between both phases	Max. 1µF
Constant power	Yes
Operating conditions	-5°C - +45°C, max. 85% relative humidity, for indoor installation, the interface may not be covered
Switch on duration	ED max. 40% (max. 2min. per 5min.)
Material	Plastic cabinet
Colour	Grey (RAL 7004)
Size	160 x 29 x 42mm (W x H x D)
Weight	350g
IP rating	IP44
Delivery includes	Interface with 2m or 10m net cable and 0.1m cable with nylon connector on the secondary side (24V)
Note	We reserve the right to make technical changes

WindowMaster actuator type	Max. number of window actuators, connected to the WUF 110
	Secondary voltage (max. 27 V)
WML 825*	1
WMX 503-1/504-1/523-1/526-1* WMX 503-2/504-2/523-2/526-2*	2
WMX 803-1/804-1/823-1/826-1*	1

\*Aside from a window actuator(s) it is also possible to connect a locking/espagnolette actuator (single) type WMB 801 or WMB 811.

WUF 121 Technical specifications	
Max power consumption	3A – see table below for possible actuator types and numbers
Primary voltage	230V AC, ±10%
Secondary voltage	Nominal ±24V DC, 3A Low 17-27V DC. High 20-30V DC (standard)
Inrush current on primary side	Max. 10A<10msec
Standby consumption	3W by 230V (no actuators runs)
Open circuit	30V by 253
Ripple at full load	10% (2Vpp)
Insulation / Earthing	The interface is a double insulated class II product, which means it will not require earth connection
Constant power	Yes
Operating condition	-5°C - +45°C for indoor installation, the interface may not be covered
Switch on duration	ED max 40% (max. 2min. per 5min.)
Material	Housing in shockproof fire retardant polycarbonate in accordance with UL 94-5V
Colour	White (NCS 1000)
Size	180 x 110 x 70mm (W x H x D)
Weight	1.4kg
IP rating	IP20
Delivery includes	Actuator interface with 1.3m mains cable (without a cable for connection to the actuators, connection on the terminal block)
Note	We reserve the right to make technical changes

WindowMaster actuator type	Max. number of window actuators, connected to the WUF 121	
	Secondary voltage high (standard) (max. 30V)	Secondary voltage low (max. 27V)
WML 825	3	*
WMS 306-1 / 306-2	2	*
WMS 309-1 / 309-2	2	*
WMS 409-1	1	*
WMU 831 / 836 -1 **	3	*
WMU 831 / 836 -2 **	2	*
WMU 842-1 **	1	*
WMU 851 / 861 -1 **	3	*
WMU 851 / 861 -2 **	2	*
WMU 852 / 862 / 863 -1 **	1	*
WMU 882 / 883-1 **	1	*
WMX 503 / 504 / 523 / 526 -1 **	6	*
WMX 503 / 504 / 523 / 526 -2 **		
WMX 503 / 504 / 523 / 526 -3 **		
WMX 503 / 504 / 523 / 526 -4 **	4	*
WMX 803 / 804 / 823 / 826 -1 **	3	*
WMX 803 / 804 / 823 / 826 -2 **	2	*
WMX 803 / 804 / 823 / 826 -3 **	3	*

\* The actuator is not suitable for this voltage.

\*\* Aside from a window actuator(s) it is also possible to connect locking/espagnolette actuator(s) type WMB 801 or WMB 811 / WMB 812.

<b>WUF 150 Technical specifications</b>	
<b>Max power consumption</b>	5A – see table below for possible actuator types and numbers
<b>Primary voltage</b>	230V AC, ±10%, 50-60HZ, 120VA
<b>Secondary voltage</b>	±24V DC ±2%, 5A
<b>Inrush current on primary side</b>	Max. 10A<10msec
<b>Fuse on site</b>	Up to eight interfaces in parallel under one 10A automatic fuse with C, D or K characteristic
<b>Standby consumption</b>	3W by 230V (no actuators runs)
<b>Open circuit</b>	24V by 253
<b>Ripple at full load</b>	Max. 2%
<b>Connection</b>	Primary site: 2.5mm <sup>2</sup> Secondary site: 4mm <sup>2</sup>
<b>Insulation / Earthing</b>	Class I product accordingly EN 60 850-1, why earth connection is required
<b>Constant power</b>	Yes
<b>Operating condition</b>	-5°C - +50°C max. 90% RH, for indoor installation, the interface may not be covered or exposed directly to the sun
<b>Switch on duration</b>	ED max 40% (max. 4min. per 10min.)
<b>Material</b>	ABS
<b>Colour</b>	White (RAL 9010)
<b>Size</b>	208 x 172 x 81mm (W x H x D)
<b>Weight</b>	1.4kg
<b>IP rating</b>	IP30
<b>Delivery includes</b>	Interface with screw terminals for 230 Volt and actuators connections. The interface units are supplied without cables.
<b>Note</b>	We reserve the right to make technical changes

**WUF 150 continued**

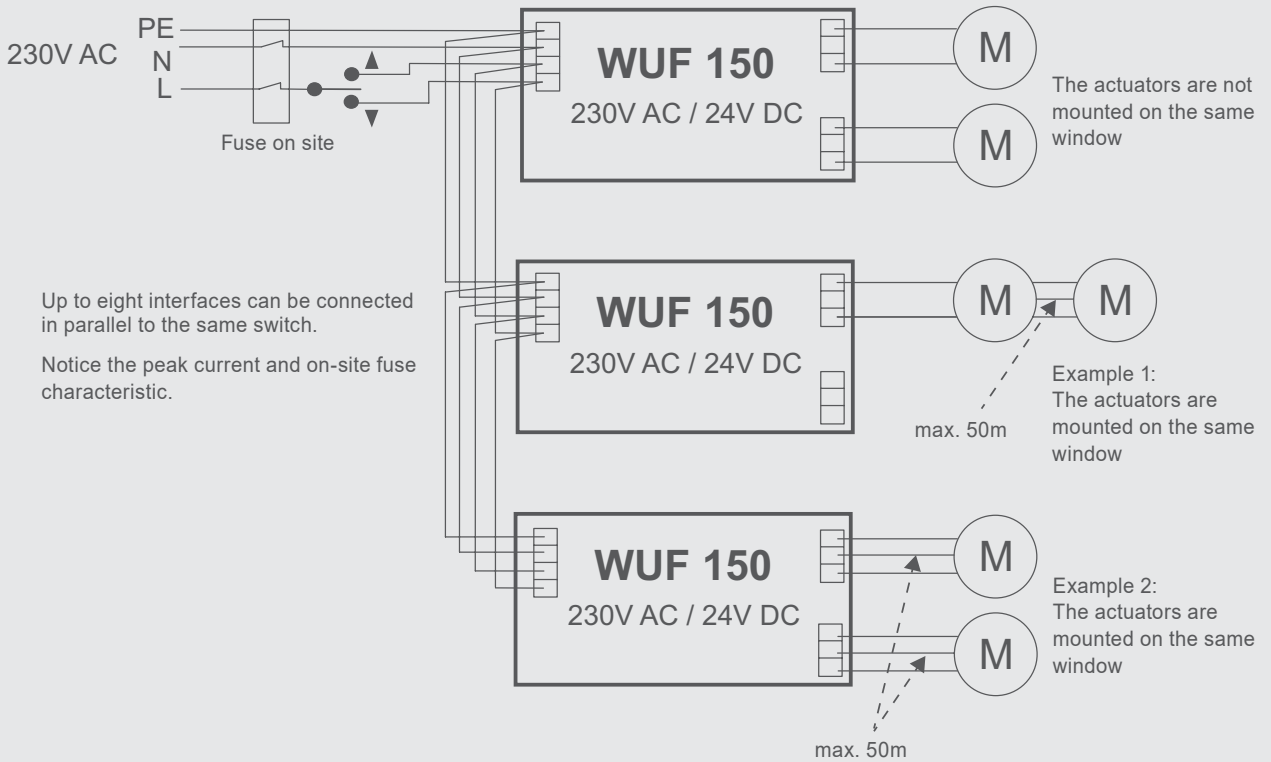
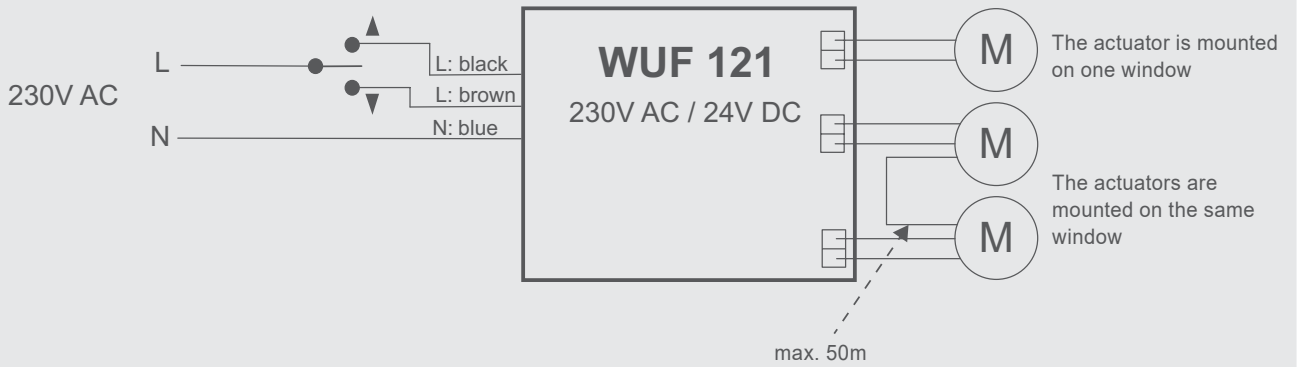
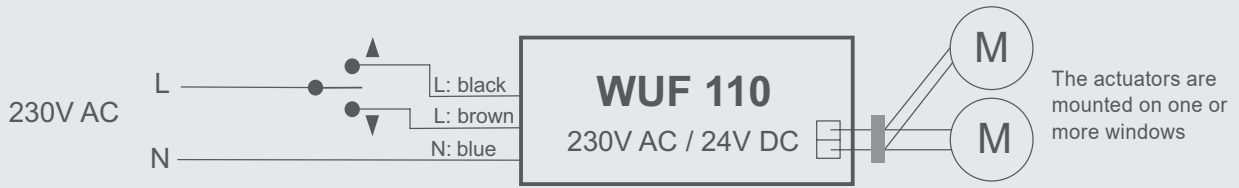
WindowMaster actuator type	Max. number of window actuators, connected to the WUF 150
WML 825 <sup>1)</sup>	5
WMS 306 <sup>1)</sup>	4
WMS 309 <sup>1)</sup>	4
WMS 409 <sup>1)</sup>	2
WMS 306 -1 / -2 <sup>2)</sup>	4
WMS 309 -1 / -2 <sup>2)</sup>	4
WMS 409 -1 / -2 <sup>2)</sup>	2
WMU 831 -1 <sup>2)</sup>	5
WMU 831 -2 <sup>2)</sup>	4
WMU 836 -1 / -2 <sup>2)</sup>	4
WMU 842 -1 / -2 <sup>2)</sup>	4
WMU 851 / 861 -1 <sup>2)</sup>	5
WMU 851 / 861 -2 <sup>2)</sup>	4
WMU 852 / 862 -1 <sup>2)</sup>	2
WMU 863 -1 <sup>2)</sup>	1
WMU 864 -1 <sup>3)</sup>	1
WMU 882 -1 <sup>2)</sup>	2
WMU 883 -1 <sup>2)</sup>	1
WMU 884 -1 <sup>3)</sup>	1
WMU 885 -1 <sup>3)</sup>	1
WMU 895 -1 <sup>3)</sup>	1
WMX 503 / 504 / 523 / 526 -1 / -2 <sup>2)</sup>	10
WMX 503 / 504 / 523 / 526 -3 <sup>2)</sup>	9
WMX 503 / 504 / 523 / 526 -4 <sup>2)</sup>	8
WMX 803 / 804 / 823 / 826 -1 <sup>2)</sup>	5
WMX 803 / 804 / 823 / 826 -2 <sup>2)</sup>	4
WMX 803 / 804 / 823 / 826 -3 <sup>2)</sup>	3

1) Aside from a window actuator(s) it is also possible to connect a locking/espagnolette actuator(s) type WMB 801.

2) Aside from a window actuator(s) it is also possible to connect a locking/espagnolette actuator(s) type WMB 801 or WMB 811 / WMB 812.

3) Aside from a window actuator it is also possible to connect locking/espagnolette actuator(s) type WMB 811 / WMB 812.

**Connection**



**Notice:**

When more actuators are mounted on the same window, all the actuators must be of the same variant meaning that all are to be either double, triple or quad.

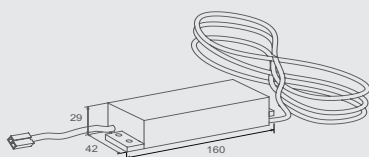
WUF 110 / 121 / 150

# Actuator interfaces

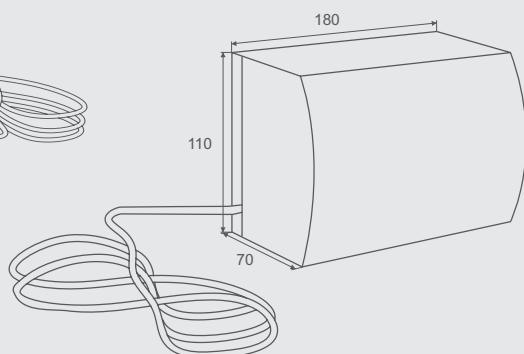
Items	Item no.
Actuator interface 230 VAC / 24 VDC, 1A, 2m cable	WUF 110 01
Actuator interface 230 VAC / 24 VDC, 1A, 10m cable	WUF 110 02
Actuator interface 230 VAC / 24 VDC, 3A	WUF 121
Actuator interface 230 VAC / 24 VDC, 5A	WUF 150

## Size

WUF 110



WUF 121



WUF 150

