



WMX 813 / 813 UL

Chain actuator



Natural
ventilation

24V

±24V control



MotorLink®



TrueSpeed™



UL certification
– Actuators

1.43

Description

- optimized design for concealed installation
- for comfort ventilation
- to be used with all window types
- to be used together with ±24V control units or control units with MotorLink®
- can be used together with espagnolette WMB
- external safety edge can be connected directly to the actuator (actuator version 'E')
- available with and without UL certification:
 - Europe: order without UL certification
 - USA / Canada: order with UL certification (version UL)
- synchronization of up to four window actuators – no need for an external synchronization module
- genuine position feedback and three speeds when using control unit with MotorLink®
- soft close
- the electronics in this actuator can be programmed to suit specific requirements – i.e. pressure- and traction force, stroke, speed/sound level – with the WAT 100 programming box, also possible following installation
- built-in electronic load switch-off/end stop
- electronic actuator with micro controller
- the actuator has an integrated reverse function to ensure a prolonged life span of the window gaskets

Actuator variants

The actuator is available in four different versions: single actuator (-1), double actuator (-2), triple actuator (-3) and quad actuator (-4).

The synchro actuators (-2, -3 and -4) are equipped with a patented synchronization function, in which the actuators communicate directly with each other, which ensures the actuators operate at exactly the same speed and position. On large windows up to four actuators can be mounted on the same window – with no need for an external synchronization module.

Pressure safety function

The risk of entrapment is reduced as the actuators are programmed to reverse if they encounter obstacles when closing. The set points determining when the actuators are to reverse are individually adjustable and can be adjusted after installation using the programming box WAT 100.



Version S



Version E1 UL

Opening speeds

Actuators connected to ± 24 VDC control units (e.g. WUC) can be run with one speed.

Actuators connected to control units with MotorLink® (e.g. WCC) can be run with three different speeds:

- automatically control speed – actuators run slowly and almost soundlessly.

- manual control speed – actuators run faster and more audibly.
- H&S and safety control speed – actuators run fastest. H&S control always has highest priority.

Technical specifications

Pressure force	See diagram
Traction force	See diagram
Locking force	2000N
Chain opening	50 – 1000mm in increments of 10mm, maximum opening depends on the window construction
Opening speed	WMX 813: 1-17 mm/s (TrueSpeed™) WMX 813 UL: 1-11mm/s (TrueSpeed™)
Window type	Concealed installation
Nominal voltage	24V DC (max. 10% ripple)
Voltage	20-36V DC
Max. open-circuit voltage	max. 36V DC
Current consumption	max. 1A
Working condition	-5°C - +74°C, max. 90% relative humidity (not condensing)
Switch-on-duration	ED 40% (max. 4 min. per 10 min)
Colour	Black anodized aluminium, black RAL 9005. RAL colours available at additional price
Size	22 x 33mm (H x D), length (L) depending on chain stroke – see table.
Weight	400mm stroke: 1.28 kg; 600mm stroke: 1.42 kg; 800mm stroke: 1.63 kg; 1000mm stroke: 1.84 kg;
IP rating	Surface mounted: IP 20, concealed: IP 32
Certification	Actuators with 'U' in the article no. are UL certified accordingly to UL 325 and CAN/CSA-22.2 No. 247-14 and are supplied with UL approved cables UL STYLE 2464. Actuators intended to comply with UL Standard 325 paragraph 34A.3 should satisfy one of the following criteria: a) Be intended for mounting at least 2.44 m (8 ft) above the floor; b) Require constant contact on a control within view of the window to cause movement of the window; c) Have a maximum chain length of 200mm; d) Be provided with external entrapment protection device. External entrapment protection device can be supplied by an alternative supplier; e) The actuators are used in a heat and smoke system.
Life span	Tested with 10,000 opening and closing movements
Delivery includes	WMX 813 S: Actuator with 5m connection cable (3-core cables 0.34mm ²) with fast-in/fast-on connector for WLL cable WMX 813 E1 UL: Actuator with 5m connection cable (3-core cables 0.34mm ²) with fast-in/fast-on connector for WLL cable, and 2m cable (2-core cables 0.34mm ²) with connection for pressure safety strip Actuators with 'U' in the article no. are supplied with UL approved cables.
To be ordered separately	Brackets and standard extension cables (WLL)
Note	We reserve the right to make technical changes

Chain stroke [mm]	Length (L) [mm]
199	499
400	499
600	599
800	699
1000	799

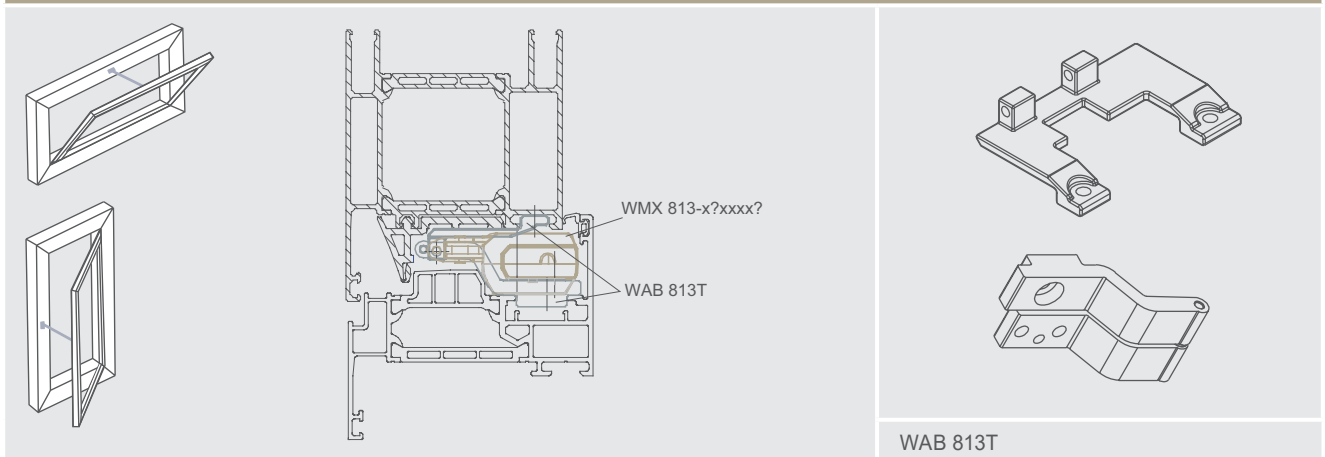
Product code composition

WMX 813	-n	x	yyyy	zz	v	1
						Product version: 1
						Certification: 0= CE, U = CE + UL
						Actuator hardware version: S = standard, E1 = with connection for pressure safety strip
						Chain opening: 50 – 1000mm, in increments of 10mm (0050 = 50mm)
						Colour: B = black
Actuator variant: 1= single, 2 = double, 3 = triple, 4 = quad						

Explanation of product code structure

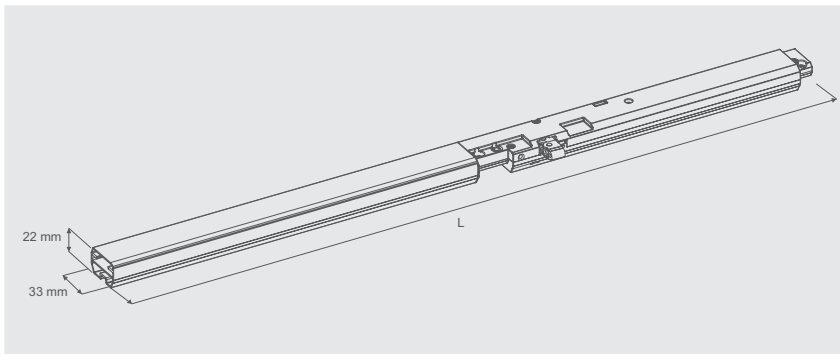
WMX 813-2B0070S 01 WMX 813 actuator, double synchronisation, black, 70mm chain opening, with CE certification, product version 1.

Installation suggestion 1 - Inward Opening



WMX 813 / 813 UL

Chain actuator



L = Length (incl. screws) – see table of items

