



WMU 831 / 851 / 852

Chain actuator up to 500N



Natural
ventilation



Smoke ventilation
B300

24V



MotorLink®



TrueSpeed™

2.25

Description

- Designed for surface mounting
- For comfort ventilation
- To be used with all window types
- To be used together with $\pm 24V$ control units or control units with MotorLink®
- Can be used together with espagnolette WMB
- Available with and without cable:
 - Europe: S = cable/ Z = no cable
 - USA / Canada: Order without cable = Z
- Synchronization of up to four window actuators – no need for an external synchronization module
- Genuine position feedback and three speeds when using control unit with MotorLink®
- Soft close function
- The electronics in this actuator can be programmed to suit specific requirements – i.e. pressure- and traction force, stroke, speed/sound level – with the WAT 100 programming box, also possible to do after installation
- Built-in electronic load switch-off/end stop
- Electronic actuator with micro controller
- The actuator has an integrated reverse function to ensure a prolonged life span of the window gaskets
- Easy mounting

Actuator variants

The actuator is available in four different versions with or without cable:
single actuator (-1), double actuator (-2), triple actuator (-3) and quad actuator (-4).
The synchro actuators (-2, -3 and -4) are equipped with a

patented synchronization function, in which the actuators communicate directly with each other, which ensures the actuators operate at exactly the same speed and position. On large windows up to four actuators can be mounted on the same window – with no need for an external synchronization module.

Opening speeds

The number of window actuator running speeds (up to three) depends on the type of control unit to which the window actuator is connected.

One speed:

Actuators connected to $\pm 24V$ DC control units (e.g. WUC) can be run with one speed – see the following page for opening speed.

Three speeds:

Actuators connected to control units with MotorLink® (e.g. WCC) can be run with three different speeds:

- Automatically control speed – actuators run slowly and almost soundlessly.
- Manual control speed – actuators run faster and more audibly.
- H&S and safety control speed – actuators run fastest. H&S control always has highest priority.



Notice: Cable is not supplied when actuators are shipped to USA and Canada.

Technical specifications	
Pressure force	See variant table and stroke / force diagram
Traction force	300N
Locking force	3000N mounting front otherwise 2000N
Chain stroke	400, 500, 600 mm depending on variant
Opening speed	7 - 12mm/s
Window types	Tophung, bottomhung, pivot and turning window – vent size should be confirmed with the window supplier and WindowMaster
Nominal voltage	24 VDC (max. 10% ripple)
Voltage	20 - 36 VDC
Open circuit voltage	Max. 36 VDC
Current consumption	Min. 1A or Max. 2A depending on variant
Consumption of power	1A = Max. 24W & 2A = Max. 48W
Operating conditions	-5°C - +74°C, max. 90% relative humidity (not condensing)
Switch-on-duration	ED 40% (max. 4min. per 10min)
Material	Aluminium housing with steel chain WMU 831 / 851 / 852 S: With 5m grey silicone cable 3-cores 0.75m ² WMU 831 / 851 / 852 Z: Without cable
Colour	Aluminium RAL 9006. RAL colours available at an additional price
Size	42 x 57 x 605 mm (H x D x L)/(L= 605 + 18 = 623 mm incl. screws)
Weight	400mm: 2.2kg, 500mm: 2.4kg, 600mm: 2.6kg
IP rating	IP32
Fire test	B300 tested according to EN 12101-2:2003
Life span	Tested with 10,000 opening and closing movements
Delivery includes	WMU 831 / 851 / 852 S: Actuator with 5m cable and plug WMU 831 / 851 / 852 Z: Plug incl. but actuator without cable
To be ordered separately	Actuator, motor and chain bracket
Note	We reserve the right to make technical changes

Description of product code composition				
WMU 831 WMU 851 WMU 852	-n	G	xxx x	01
			Product version: 1	
			Stroke: 0400 = 400mm, 0500 = 500mm, 0600 = 600mm & Z = Zero cable/ S = Standard cable	
		Grey		
Actuator variant: 1 = single, 2 = double, 3 = triple, 4 = quad				
Example of product code				
WMU 852-2G 600S 01		WMU 852 actuator, double synchronisation, Grey, S incl. cable, 600mm chain stroke, product version 1		

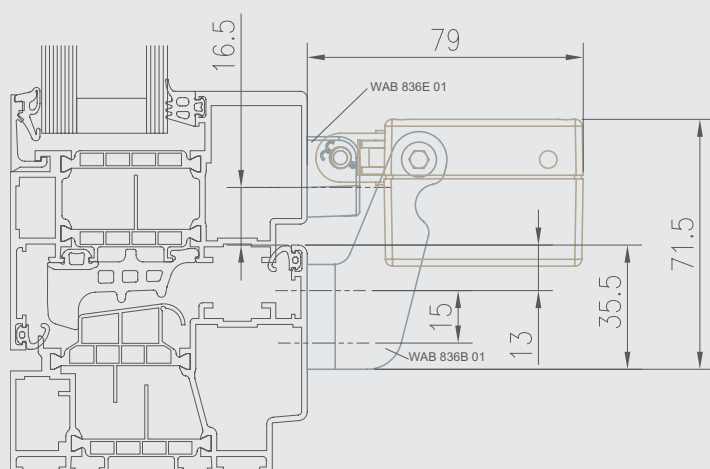
Items 1A<60sec	Chain stroke [mm]	Pressure force [N] * (only bottom hung window)	Length (L) [mm] (incl. screws = 18mm)	Item no. with cable	Item no. without cable
Single actuator	400	300	623	WMU 831-1G 400S 01	WMU 831-1G 400Z 01
	500			WMU 831-1G 500S 01	WMU 831-1G 500Z 01
	600			WMU 831-1G 600S 01	WMU 831-1G 600Z 01
Double actuator	400			WMU 831-2G 400S 01	WMU 831-2G 400Z 01
	500			WMU 831-2G 500S 01	WMU 831-2G 500Z 01
	600			WMU 831-2G 600S 01	WMU 831-2G 600Z 01
Triple actuator	400			WMU 831-3G 400S 01	WMU 831-3G 400Z 01
	500			WMU 831-3G 500S 01	WMU 831-3G 500Z 01
	600			WMU 831-3G 600S 01	WMU 831-3G 600Z 01
Quad actuator	400			WMU 831-4G 400S 01	WMU 831-4G 400Z 01
	500			WMU 831-4G 500S 01	WMU 831-4G 500Z 01
	600			WMU 831-4G 600S 01	WMU 831-4G 600Z 01

Items 1A>60sec	Chain stroke [mm]	Pressure force [N] * (only bottom hung window)	Length (L) [mm] (incl. screws = 18mm)	Item no. with cable	Item no. without cable
Single actuator	400	500	623	WMU 851-1G 400S 01	WMU 851-1G 400Z 01
Double actuator				WMU 851-2G 400S 01	WMU 851-2G 400Z 01
Triple actuator				WMU 851-3G 400S 01	WMU 851-3G 400Z 01
Quad actuator				WMU 851-4G 400S 01	WMU 851-4G 400Z 01

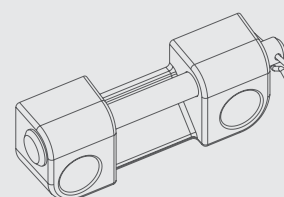
Items 2A<60sec	Chain stroke [mm]	Pressure force [N] * (only bottom hung window)	Length (L) [mm] (incl. screws = 18mm)	Item no. with cable	Item no. without cable
Single actuator	400	500	623	WMU 852-1G 400S 01	WMU 852-1G 400Z 01
	500			WMU 852-1G 500S 01	WMU 852-1G 500Z 01
	600			WMU 852-1G 600S 01	WMU 852-1G 600Z 01
Double actuator	400			WMU 852-2G 400S 01	WMU 852-2G 400Z 01
	500			WMU 852-2G 500S 01	WMU 852-2G 500Z 01
	600			WMU 852-2G 600S 01	WMU 852-2G 600Z 01
Triple actuator	400			WMU 852-3G 400S 01	WMU 852-3G 400Z 01
	500			WMU 852-3G 500S 01	WMU 852-3G 500Z 01
	600			WMU 852-3G 600S 01	WMU 852-3G 600Z 01
Quad actuator	400			WMU 852-4G 400S 01	WMU 852-4G 400Z 01
	500			WMU 852-4G 500S 01	WMU 852-4G 500Z 01
	600			WMU 852-4G 600S 01	WMU 852-4G 600Z 01

Accessories	Item no.
Actuator bracket for WMU 852/ 851/ 831	WAB 852A
Actuator bracket for WMU 852/ 851/ 831	WAZ 852i
Z-Bracket for inward opening windows	WAB 827
Actuator bracket for WMU 836 / 852 / 851 / 831 / 936 / 866	WAB 836B
Actuator bracket for WMU 836 / 852 / 851 / 831/ 936 / 866	WAB 836H
Chain bracket for WMU 836 / 852 / 851 / 831 / 936	WAB 836E
See separate product sheets for further information.	

Installation suggestion 1

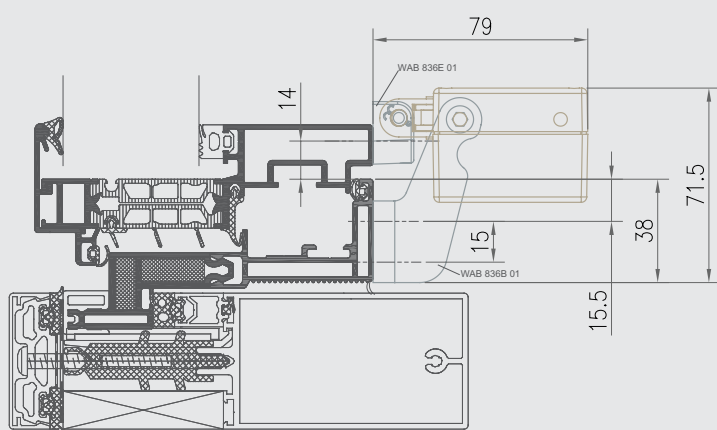


WAB 836B

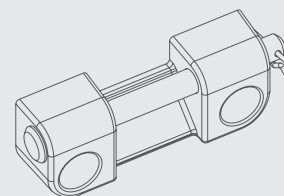


WAB 836E

Installation suggestion 2

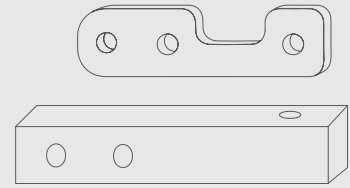
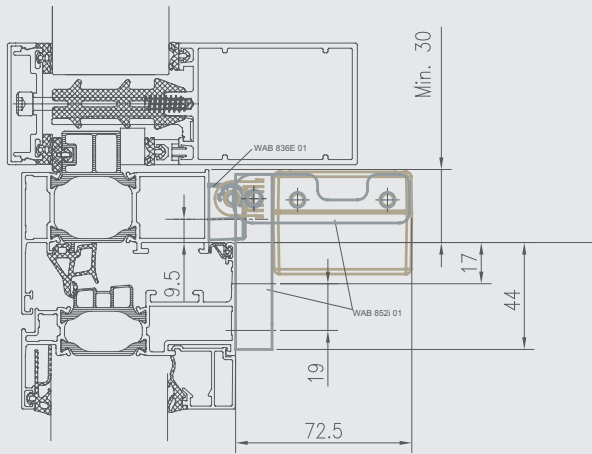


WAB 836B

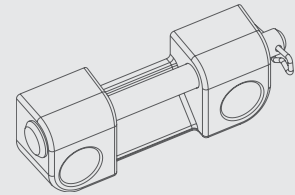


WAB 836E

Installation suggestion 3

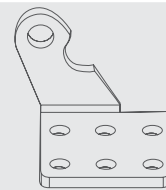
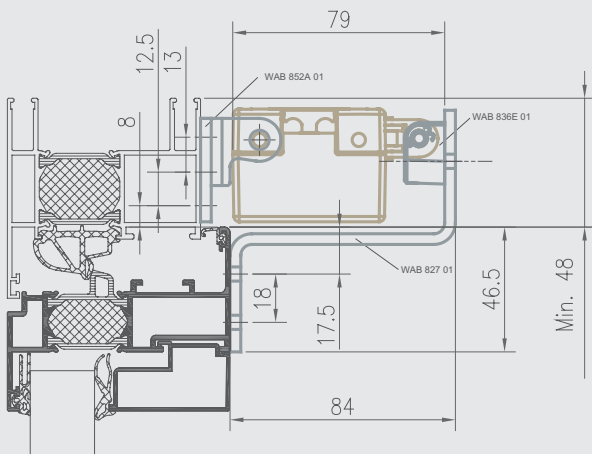


WAB 852i

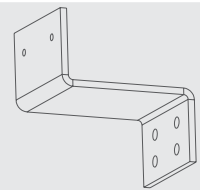


WAB 836E

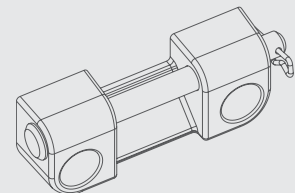
Installation suggestion 4



WAB 852A

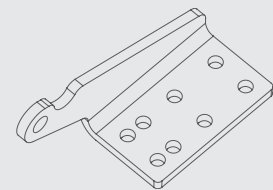
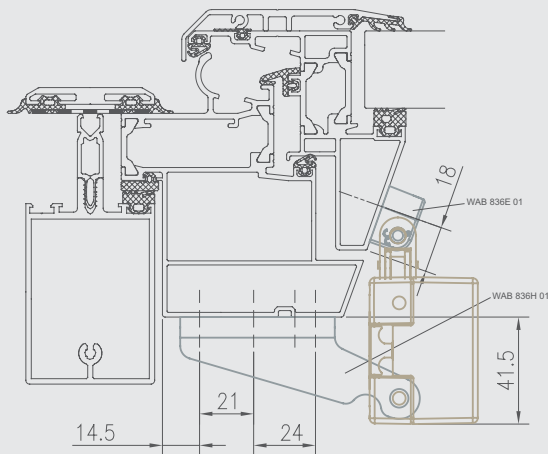


WAB 827

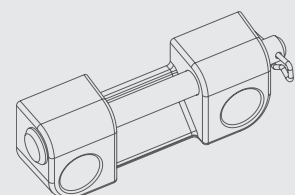


WAB 836E

Installation suggestion 5



WAB 836H

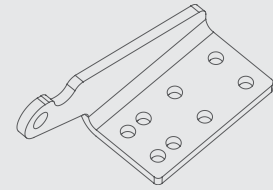
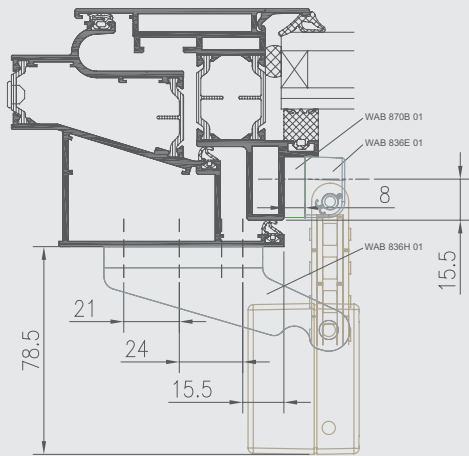


WAB 836E

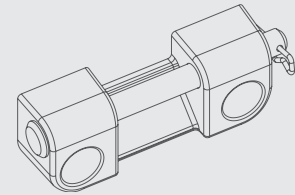
WMU 831 / 851 / 852

Chain actuator up to 500N

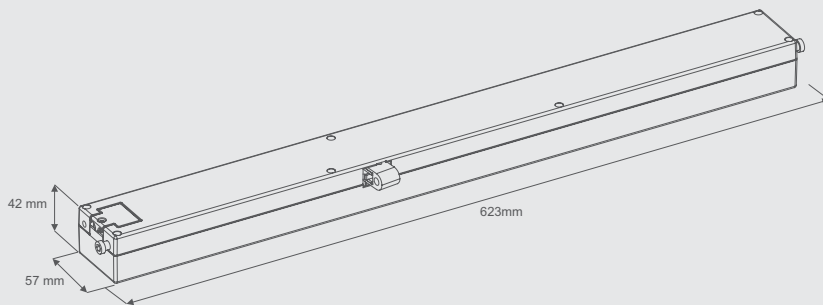
Installation suggestion 6



WAB 836H



WAB 836E



L = Length (incl. screws)

— Pressure force
— Tractive force

