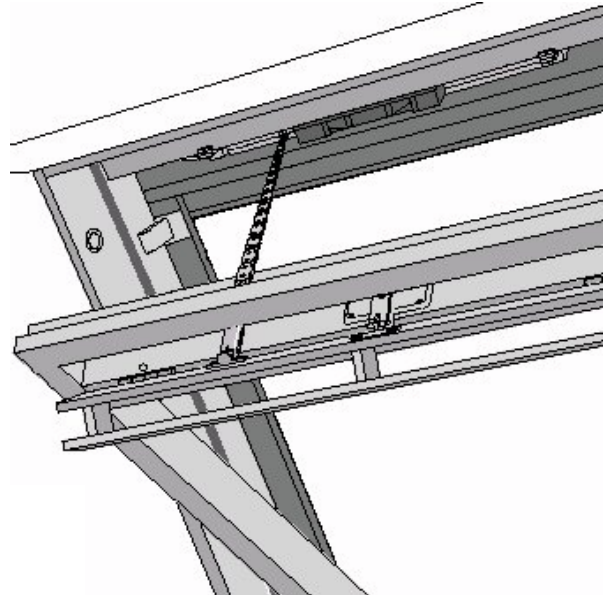
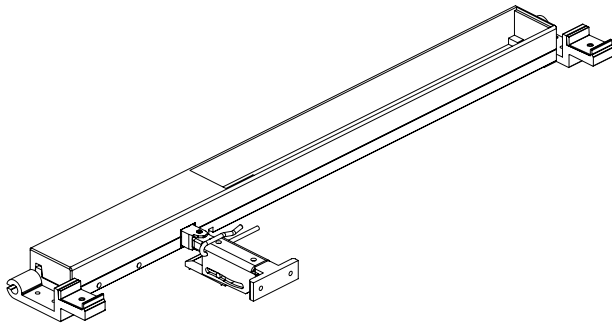


WML 820 / 825

Chain actuator



For smoke ventilation

For Velux windows

Compact 24V DC window actuator for smoke ventilation and comfort ventilation.

For Velux roof window GGL and GGU from size F06 and VL from size 035.

The window actuator is mounted behind the ventilation flap and is thus not visible when the window is closed.

WML 820 / 825

WML 820 is without VdS certification.

WML 825 is with VdS certification.

Connection

The chain actuator can be connected directly to WindowMaster smoke ventilation control units WSC 3XX or WSC 4XX

Note

If previously a WMG 500, KEM 110, EBM or EB window actuator has been installed in the window, the striking plate, the locks and the friction springs should be remounted and the ventilation flap perhaps exchanged to secure proper function of the window actuator.

Mounting of roller shutters on windows that are included in smoke ventilation systems, is to be agreed with the local fire authorities. It must be ensured that the roller shutter will go up before the window is opened, if the smoke ventilation system is activated.

Deutschland & Österreich:

WindowMaster GmbH
Zum Bache 4
D-32549 Bad Oeynhausen
Deutschland

Tel.: (057) 31 75 83-0
Fax: (057) 31 75 83-79
info@WindowMaster.de
www.WindowMaster.de

Schweiz:

WindowMaster AG
Industriestrasse 7
CH-4632 Trimbach
Schweiz

Tel.: 062 289 22 22
Fax: 062 289 22 20
info@WindowMaster.ch
www.WindowMaster.ch

United Kingdom & Ireland:

WindowMaster Control Systems Ltd.
Kettering Parkway
Kettering
Northants NN15 6XR
United Kingdom

Tel.: 01536 510990
Fax: 01536 526321
info@WindowMaster.co.uk
www.WindowMaster.com

Danmark, Sverige og øvrige markeder:

WindowMaster A/S (Head office)
Skelstedet 13
DK-2950 Vedbæk
Denmark

Tel.: +45 4567 0300
Fax: +45 4567 0390
info@WindowMaster.dk
www.WindowMaster.com

Technical data

Material	Zinc housing protected against corrosion and stainless steel chain										
Colour	Grey (RAL 7004)										
Dimensions	520 mm x 30 mm x 87 mm (W x H x D).										
Weight	1,4 kg										
Connection cable	1,5m 2-core 0,5mm ² silicon cable										
Window opening	Max. 570 mm										
Opening speed	10,5 mm/s										
Window opening	Various positions up to max. 540 mm										
Locking force	3000N										
Operating condition	-25 °C til +75 °C/ 110 °C. Max. 90% relative humidity (not condensing)										
Nominal voltage	24V DC (max. 25% ripple).										
Current consumption	Max. 1,0 A										
Blocking	The window actuator is provided with electronic disconnection, which disconnects the motor if it locks. In practice the motor can be re-connected at least 2 times per minute without causing an overload										
Tilslutning	<p>WML 820/825 is provided with a 1,5 m cable. If a longer cable is used, the following cable cross sections must be observed;</p> <table border="1"> <thead> <tr> <th>Up to</th> <th>20 m</th> <th>40 m</th> <th>60 m</th> <th>95 m</th> </tr> </thead> <tbody> <tr> <td>mm²</td> <td>0,75 mm²</td> <td>1,50 mm²</td> <td>2,50 mm²</td> <td>4,00 mm²</td> </tr> </tbody> </table> <p>Above lengths are total lengths incl. cabling in the window. The specified lengths apply for WindowMaster control</p>	Up to	20 m	40 m	60 m	95 m	mm ²	0,75 mm ²	1,50 mm ²	2,50 mm ²	4,00 mm ²
Up to	20 m	40 m	60 m	95 m							
mm ²	0,75 mm ²	1,50 mm ²	2,50 mm ²	4,00 mm ²							
Delivery includes	Motor brackets, chain brackets, screws and installation instructions (WMa 450667 and 451036)										
May be used for the following windows	VELUX roof window GGL and GGU from size 206/F06 til 810/U10 and VL from size 035										
Combination with other products	<p>WSC smoke ventilation control units</p> <p>WindowMaster window actuators must be connected to genuine WindowMaster control units only; otherwise no guarantee is accepted for the motors.</p>										
Maintenance	<p>It is recommended to lubricate the window hinges once per year to ensure long life and a reliable functioning of the product.</p> <p>Smoke ventilation systems must be maintained and tested regularly according to local fire regulations. Authorized WindowMaster specialists should carry out annual service.</p> <p>Installation in rooms with a high level of humidity must comply with relevant regulations (contact a qualified electrician if necessary).</p>										
Service	For all WindowMaster products it is recommended to make a WindowMaster service contract to ensure long life and a reliable functioning of the product.										
Smoke ventilation test	Has passed a smoke ventilation test in accordance with DIN 18232, part 3 (30 min./300°C)										
CE-marking	<p>This product has been CE marked in accordance with relevant EU directives.</p> <p>The product has been tested with other genuine WindowMaster control units and together with these, it meets the requirements of the EMC directive for household, trade and light industry.</p>										
Note	We reserve the right to make technical changes.										